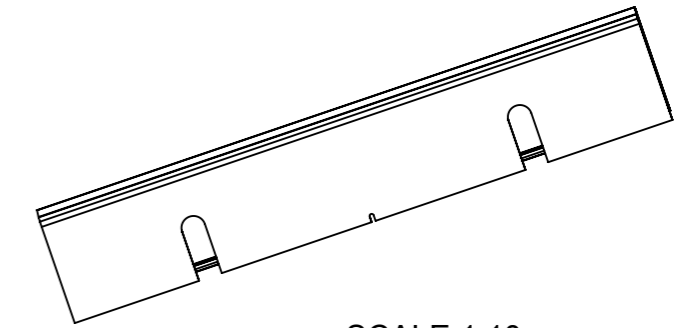
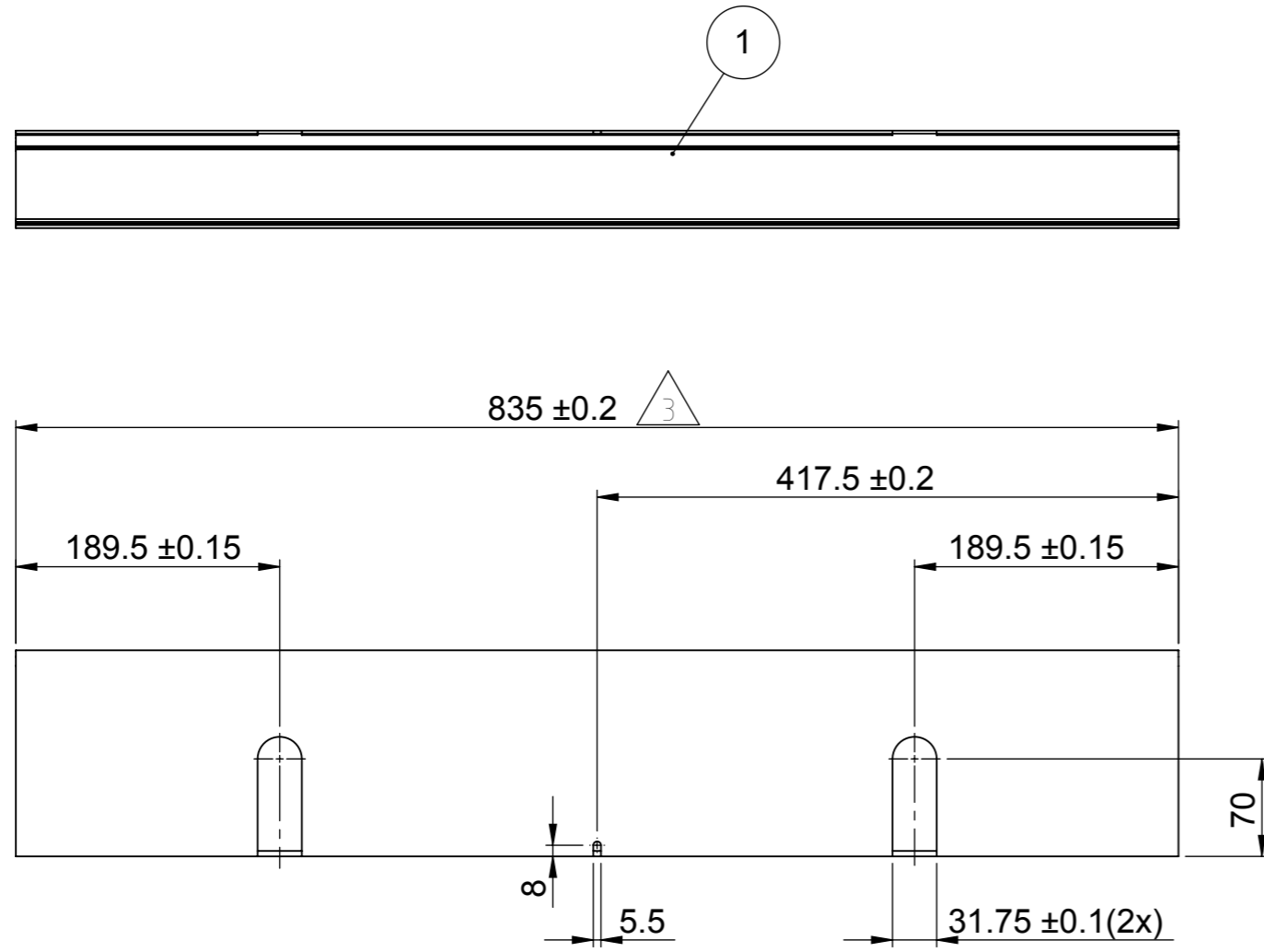


No.	Change	CM-No.	Done	Date
3.0	extend the cover length from 834to 835	13-319	CNCH	2013-06-14



SCALE 1:10



NOTE:

1. Sharp edge remove.
2. No scratch on surface.
3. Unsepcified dimension:ISO 2768-m.

© All rights in and to this material are the sole property of ASSA ABLOY Entrance Systems AB. Copying, scanning, alterations or modifications are expressly forbidden without the prior written consent of ASSA ABLOY Entrance Systems AB.

1	1	pcs.	COVER EXTRUSION BESAM	1007827				
Pos.	Qty.	Unit	Description	Art.no.	Remark			
Surface treatment				Material	Remark			
				-				
General tolerance		Proj. method	Scale	Drawn	Date	Status		
ISO 2768			1:5	CNNTD	2012-02-02	Approved		
		Description	COVER BESAM			Rev.	Size	Sheet
		<b>ASSA ABLOY</b> ASSA ABLOY Entrance Systems AB				3.0	A3	1 (1)
						Drawing No.		
						1007822		