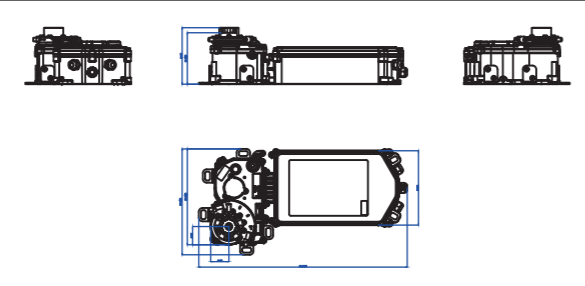
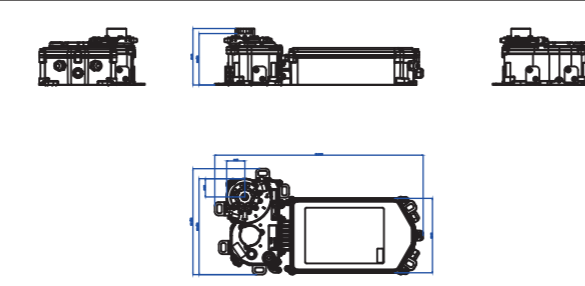
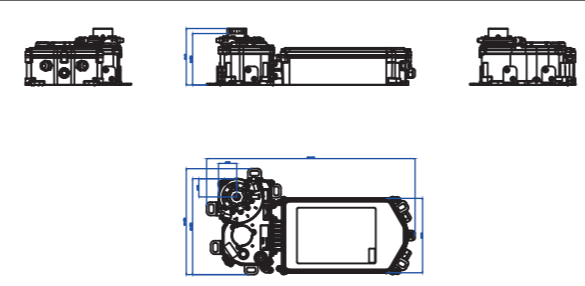
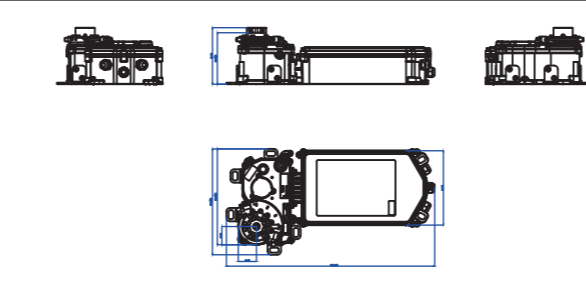
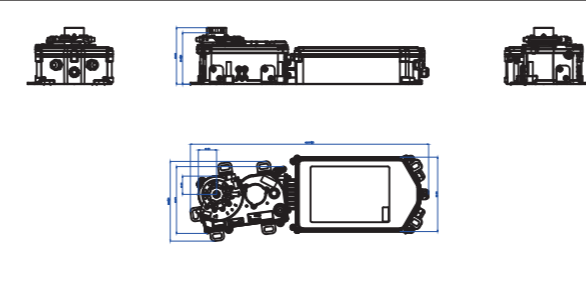
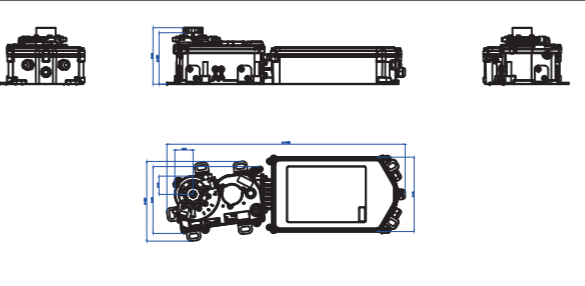
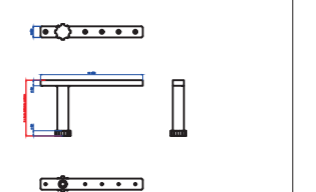
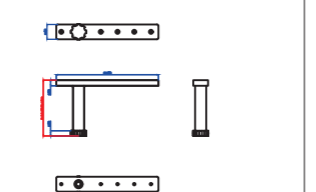
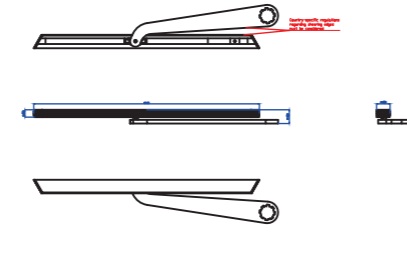

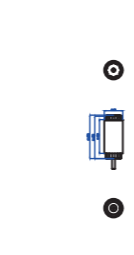

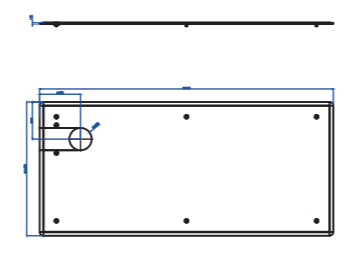
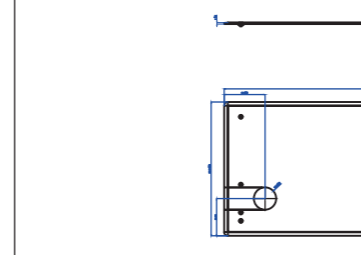
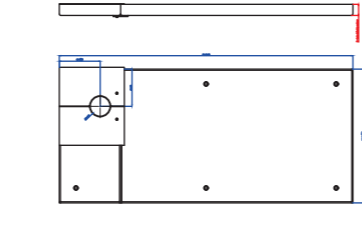
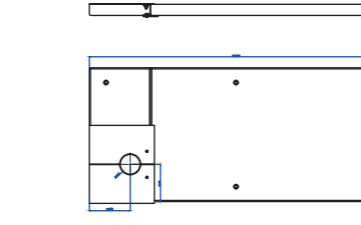
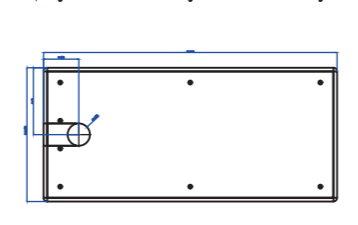
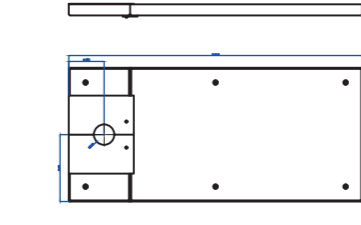
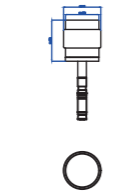

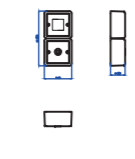
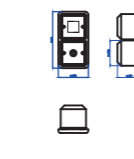





# C 127 X - Overview

Operators	C 127 X Offset				C 127 X Center	
	CW-1	CCW-1	CW-2	CCW-2	CW	CCW
						
	121-127815270	121-127815345	121-127815079	121-127815343	121-127815787	121-127816285

Accessories	Door arms						
	Standard		Sliding arm				
	Customized lever		Sliding rail and arm		Sliding arm adapter		
	W = 30mm	W = 40mm			50mm	100mm	
							
	121-009999964	121-009999965	102-127816288		102-127816286	102-127816287	
	Cement box	Cover Offset			Cover Center		
	Stainless Steel	Threshold plate CCW-1 / CW-2	Threshold plate CW-1 / CCW-2	Terrazzo tray CCW-1 / CW-2	Terrazzo tray CW-1 / CCW-2	Threshold plate	Terrazzo tray
							
	121-127816049	121-127816141	121-127816142	121-127816150	121-127816151	121-127816538	121-127816540
Doorstops							
DYN-Stop	STOPit						
							
121-127813039	121-126360						
Operation unit (BDE-D with 1 iPort)		Operation unit (BDE-D with 2 iPorts)					
Surface KIT 1 iPort	Flush-mounted KIT 1 iPort	Surface KIT 2 iPorts (Allows closing sequence control of two operators)	Flush-mounted KIT 2 iPorts (Allows closing sequence control of two operators)				
							
121-127814538	121-127814556	121-127816202 + 102-127808247	121-127816203 + 102-127808247				

Surface:		All visible screws (DIN 7991)	All green related components must be executed by other staff								
Single glass:		Level glass									
<table border="1"> <tr> <td>B</td> <td>Added Center version, new components, comparison to previous versions</td> <td>24.01.23</td> <td>SSC</td> </tr> <tr> <td>A</td> <td>Added options: BDE-D with 2 iPorts / Customized lever W = 30mm</td> <td>14.10.21</td> <td>SSC</td> </tr> </table>				B	Added Center version, new components, comparison to previous versions	24.01.23	SSC	A	Added options: BDE-D with 2 iPorts / Customized lever W = 30mm	14.10.21	SSC
B	Added Center version, new components, comparison to previous versions	24.01.23	SSC								
A	Added options: BDE-D with 2 iPorts / Customized lever W = 30mm	14.10.21	SSC								
Scale:	1:20	Construction No.:									
											
B. L. A. S. I. G. a. b. H.   Tel. +49 922 / 893 - 0 Carl-Benz-Str. 5-15   Fax. +49 922 / 893 - 369 D-71737 Z. Nellingen											
Checked:	Approved:	Date:	Page: 1 / 3								
This drawing is the property of record. It is not allowed to be published or to be returned to a third party. Technical modifications are under reserve.											

# C 127 X - Installation examples

Offset	Cement box, threshold plate, 40mm standard arm	Cement box, terrazzo tray, sliding arm	Cement box, terrazzo tray, spline adapter, 15mm lever
Center	Cement box, threshold plate, 40mm standard arm	Cement box, terrazzo tray, sliding arm	Cement box, terrazzo tray, spline adapter, 15mm lever

**Common Issue**

**IMPORTANT - BAD INSTALLATION EXAMPLE - HORIZONTAL ALIGNMENT ISSUE**

Incorrect

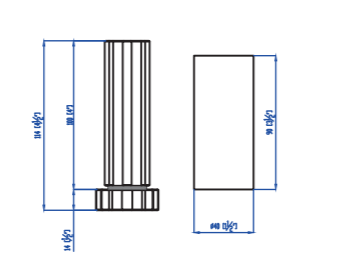
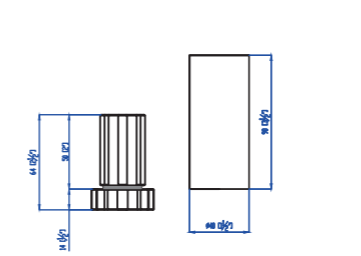
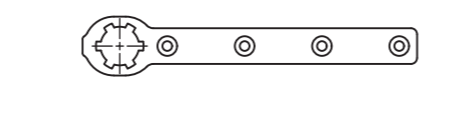
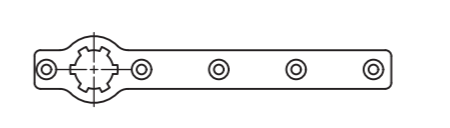

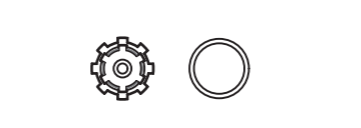
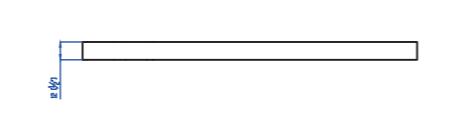
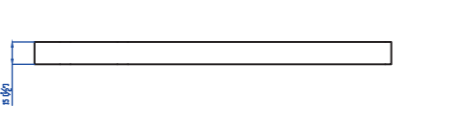


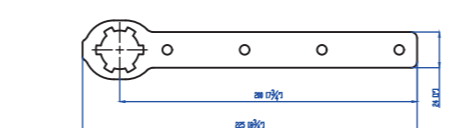
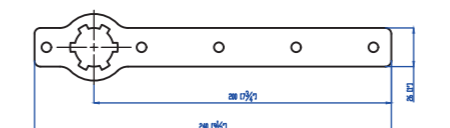
1st step: Align and level, then fix the gear box only.  
2nd step: Make sure drive compartment is aligned.  
3rd step: Then fix and secure the motor box.

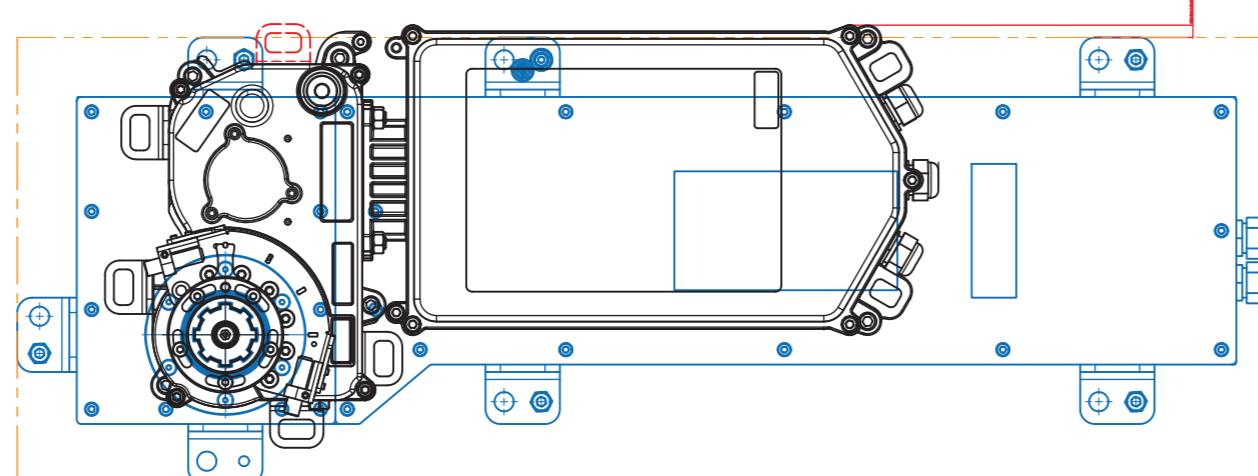
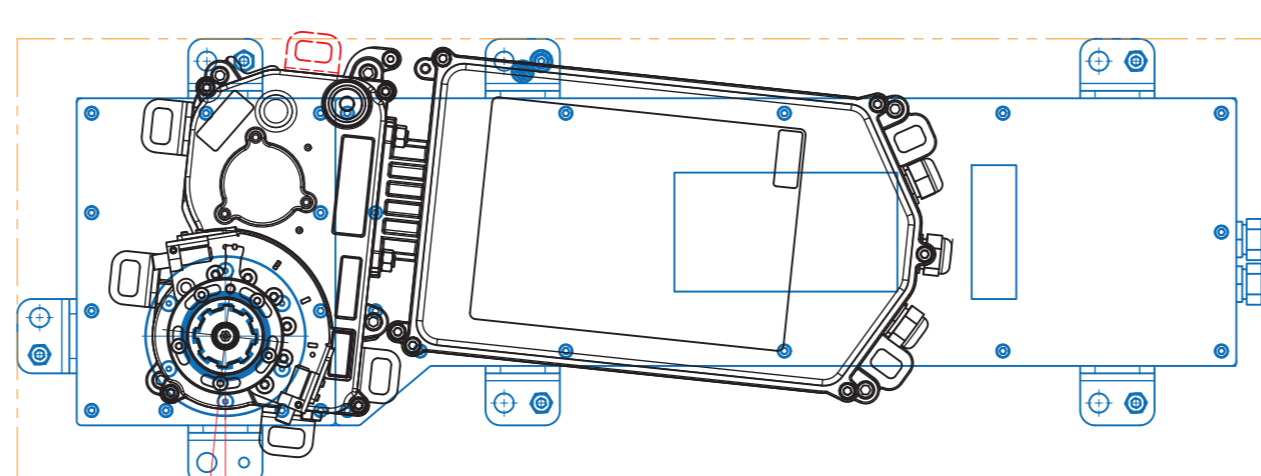
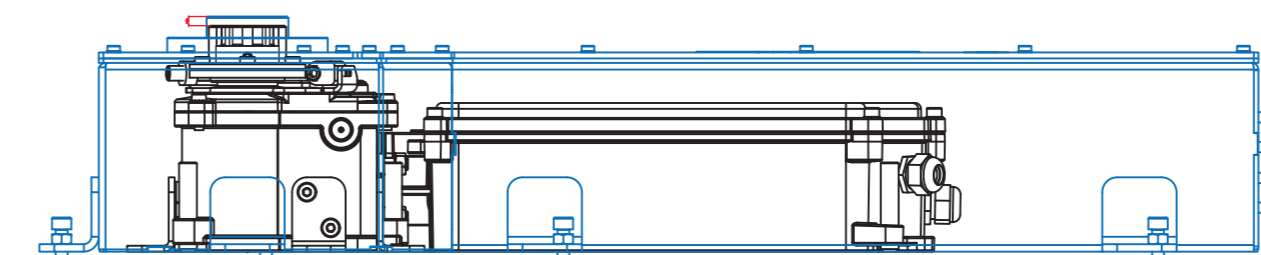
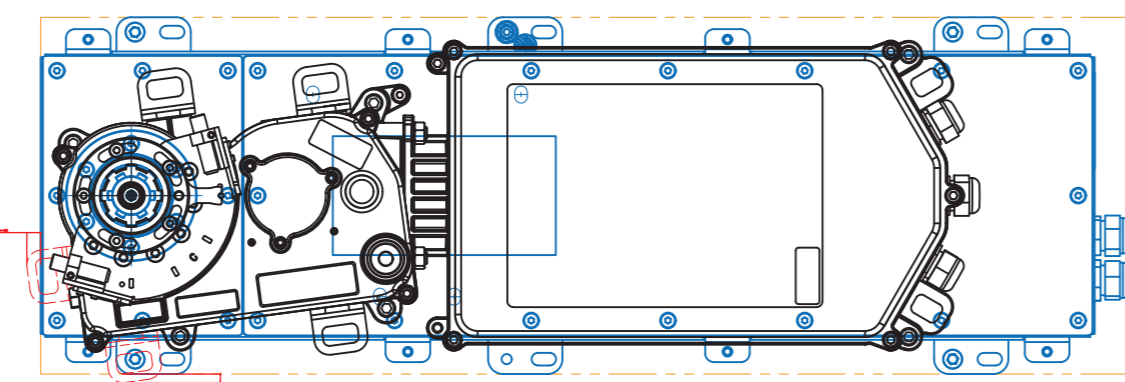
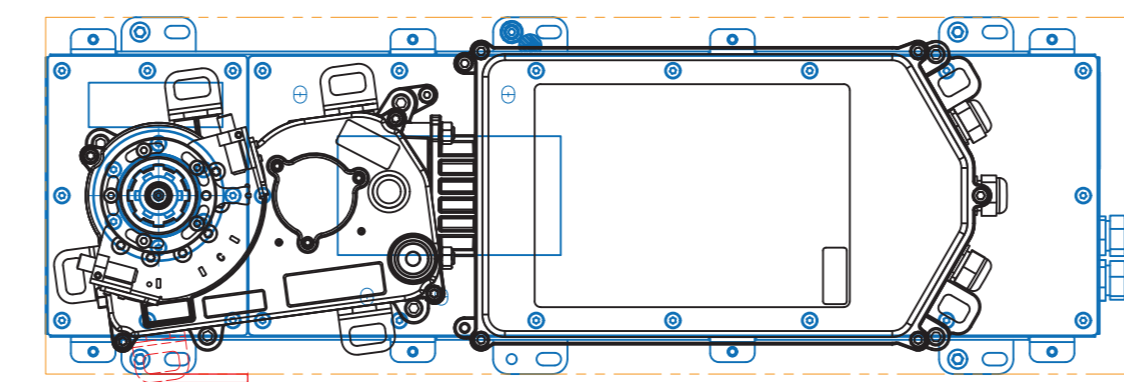
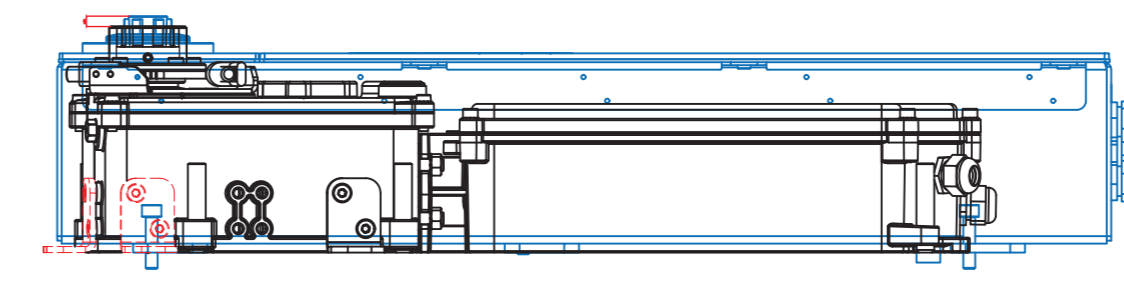
Correct

Surface		All visible screws (Ø 30x 700)	All green related components must be executed by other staff								
Height		Level									
<table border="1" style="width: 100%;"> <tr> <td>B</td> <td>Added Center version, new components, comparison to previous versions</td> <td>24.01.23</td> <td>SSC</td> </tr> <tr> <td>A</td> <td>Added options: BDE-D with 2 iPorts / Customized lever W = 30mm</td> <td>14.10.21</td> <td>SSC</td> </tr> </table>				B	Added Center version, new components, comparison to previous versions	24.01.23	SSC	A	Added options: BDE-D with 2 iPorts / Customized lever W = 30mm	14.10.21	SSC
B	Added Center version, new components, comparison to previous versions	24.01.23	SSC								
A	Added options: BDE-D with 2 iPorts / Customized lever W = 30mm	14.10.21	SSC								
Scale	1:10	Contributor									
Type	C 127 X										
Project	C 127 X sample drawings										
Contractor											
Drawn by	nra	18.06.21	Page 2								
Checked			Page 3								

This drawing is the property of record. It is not allowed to be published or to be reprinted to a third party. Technical modifications are under reserve.

# C 127 X - Replacement

Accessories	Only needed for retrofit kits of center operators			
	Splines adapter		Lever C 127 12mm	Lever C 127 15mm
	100mm	50mm	(carries up to 250kg)	(carries up to 400kg)
				
				
				
	121-127816144	121-127816145	102-127808993	102-127813031

Comparison: C 127 - C 127 X	Offset		
			
	The fastening legs around the operator are removable. At least 3 of the 5 fastening legs around the gearbox are required for the fixation.		
Center			
			
The fastening legs around the operator are removable. At least 3 of the 5 fastening legs around the gearbox are required for the fixation.			

Surface:		All visible screws ( DIN 7991 )	All green shaded components must be executed by other staff
Drainage:		Level	Level
Notes:			
B Added Center version, new components, comparison to previous versions		24.01.23	SSC
A Added options: BDE-D with 2 iPorts / Customized lever W = 30mm		14.10.21	SSC
Scale:	1:5	Contract No.:	
Type: C 127 X		Project:	C 127 X sample drawings
Contractor:		Drawn by:	
B. L. A. S. I. G. m. b. H. Carl-Benz-Strasse 5-15 1 - 71372 Heilbronn		Checked:	
Tel: +49 7141 893 - 0 Fax: +49 7141 893 - 369		Version:	nra 18.06.21
The drawing is the property of the company. It is not allowed to be published or to be retransmitted to a third party. Technical modifications are under reserve.		Page:	3
		From:	3