

### Automatic Curved sliding door system Curved 360°

**Design:**  
Fully automatic double-leaf circular sliding door with self-learning 32 bit door control system, low-noise, long-life door leaf guides, start impulse via motion detector; sensor protection incl. overcurrent detection; service port connection via bluetooth

**Dimensions:**  
Total diameter Q: 1600-3600 [mm]  
Passage width A: approx. 1000-2400 [mm] (see table below)  
Canopy height I: 200 / 220 / 250 / 290 [mm] standard dimensions  
291-1000 [mm] upon request  
Passage height G: 2200-3000 [mm]  
Total height J: 2400-3290 [mm] standard dimensions  
Customized dimensions upon request  
Profile system ALU 20 [mm]

**Glass:**  
Profile system 20 [mm] - 9,52 [mm] max. glass thickness

Glass types:  

- Laminated safety glass
- Insulated glass
- P4A

BDE-D flush mount as standard

**Options:**

**Purposes:**

- Standard
- Airlock
- Escape and rescue route

**Surface options:**

- Raw/untreated Aluminium
- Aluminium powder coating
- Anodized Aluminium
- Cladding (stainless steel/brass/bronze/etc.)

**Floor Guide:**

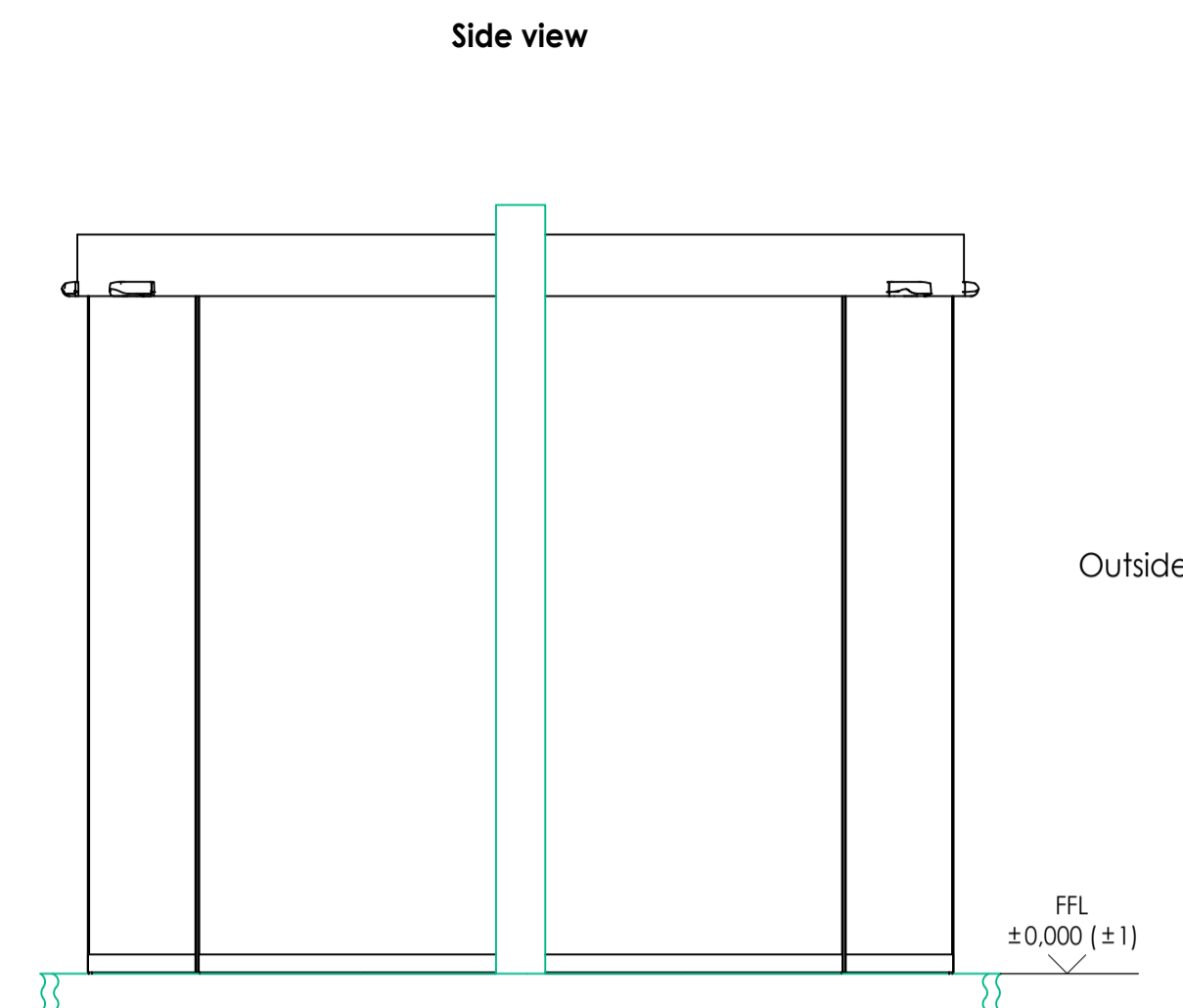
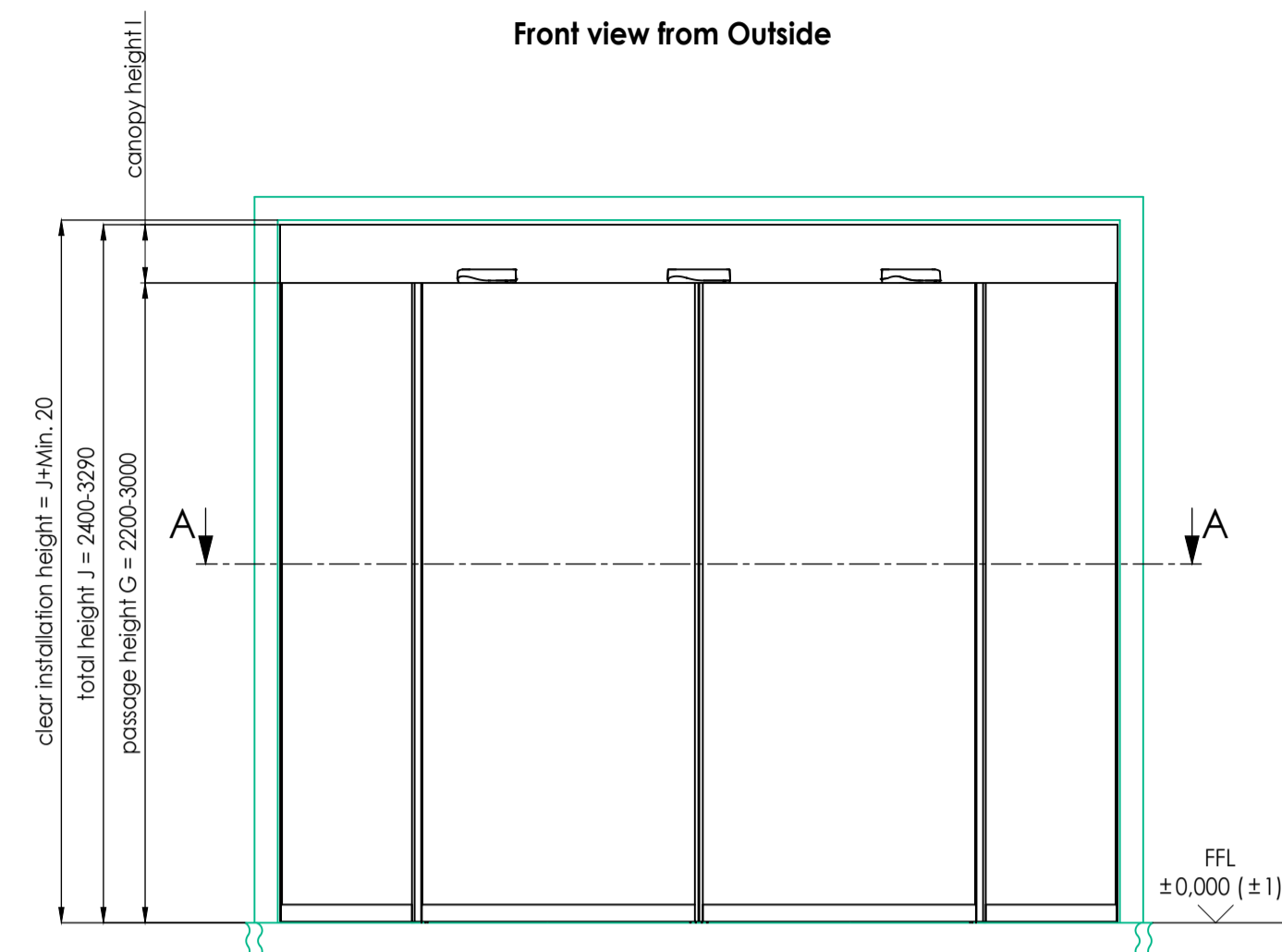
- Finished floor
- Floor guide rail
- Floor ring

**Mechanical options:**

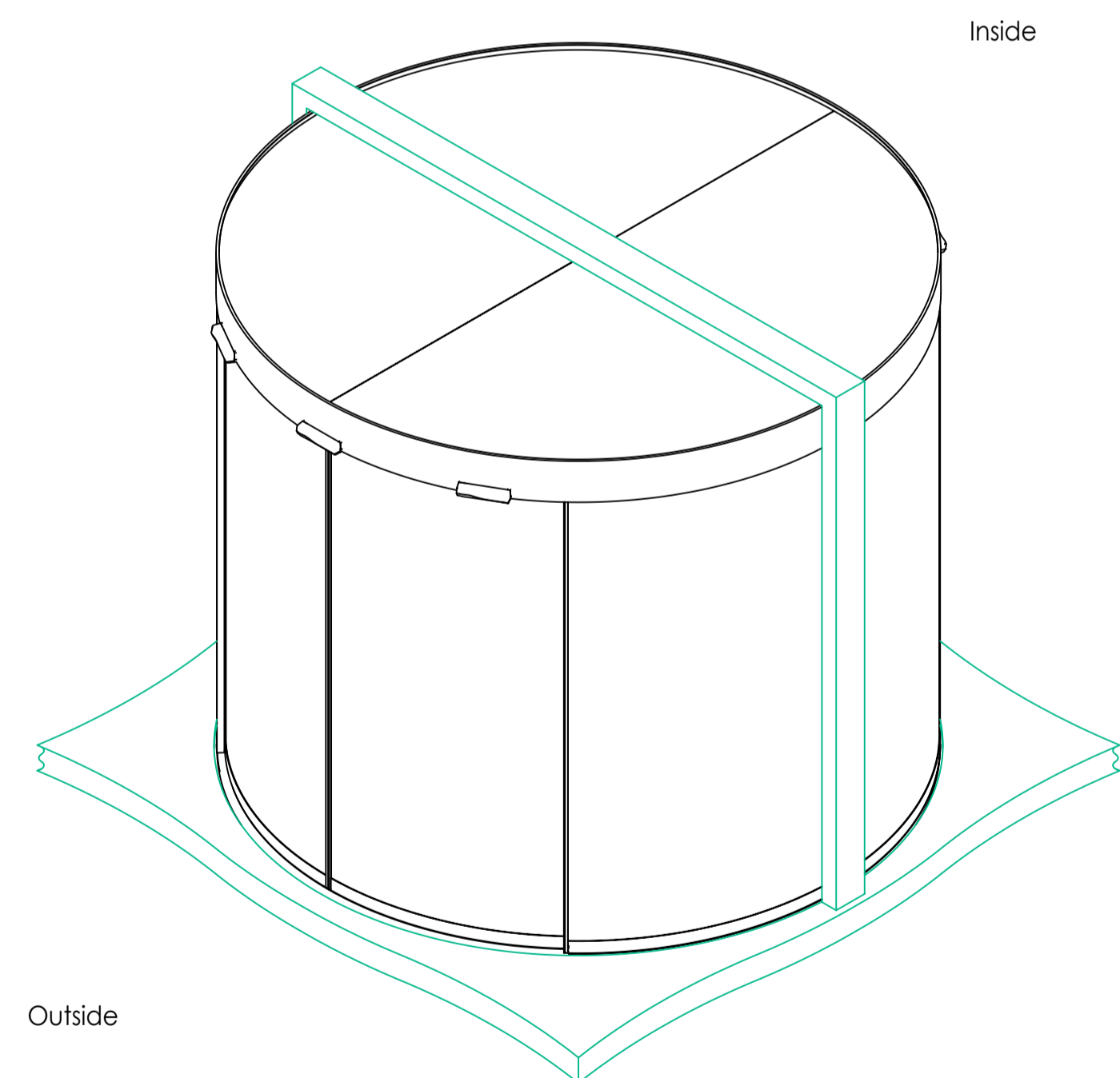
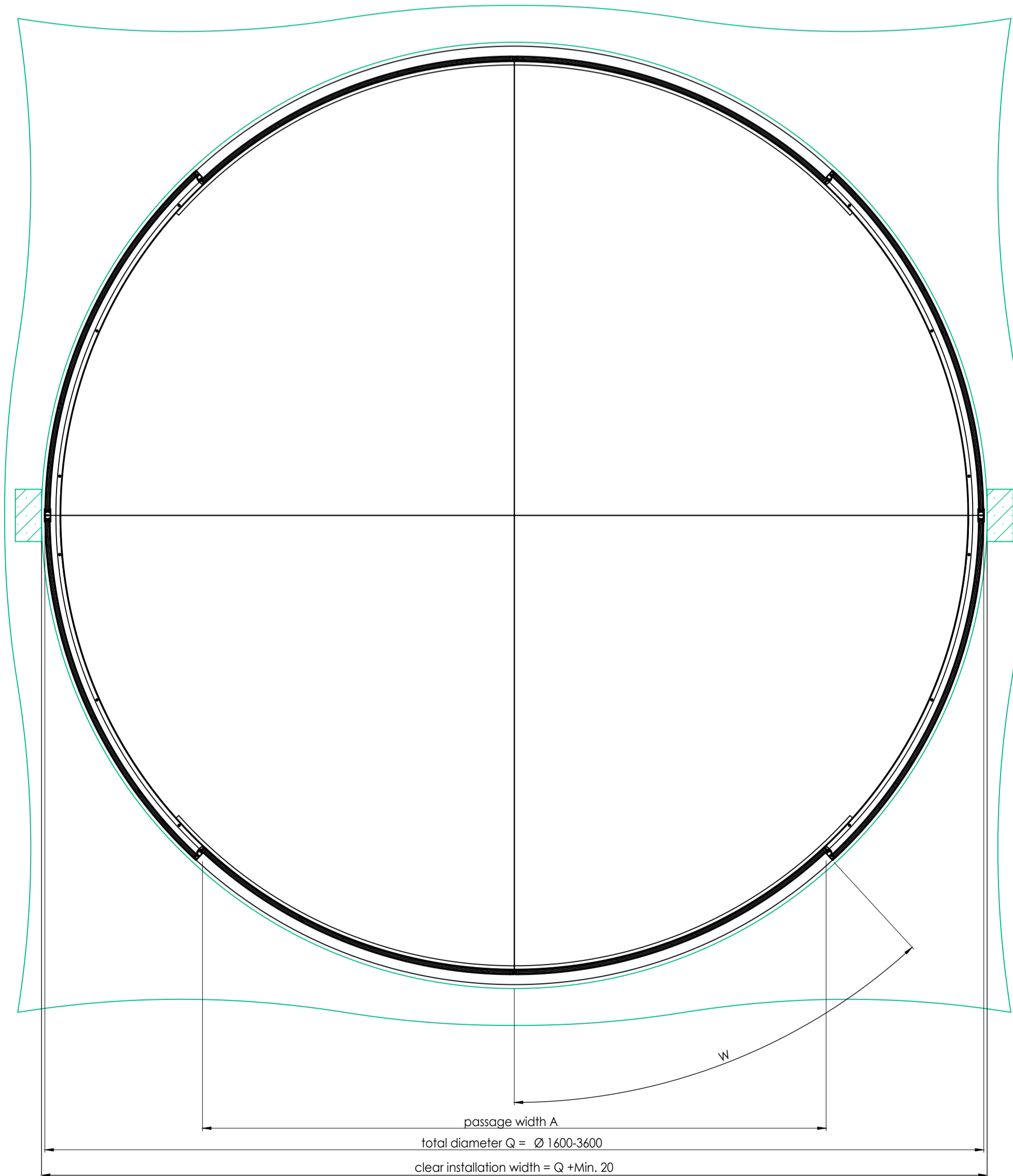
- Air curtain (dependent on other options)
- Locking device
- Roof options:
  - White coated chipboard
  - Dust roof cover
  - Water-tight tray roof
- Facade connection

**Electrical options:**

- Input for fire alarm
- Door position contact "closed"
- Lock monitoring contact
- Uninterrupted power supply
- LED build-in Lights
- Emergency stop switch
- Emergency opening switch
- Battery pack
- Control unit BDE-D surface mount (flush mount as standard)
- Key operating switch BDE-V



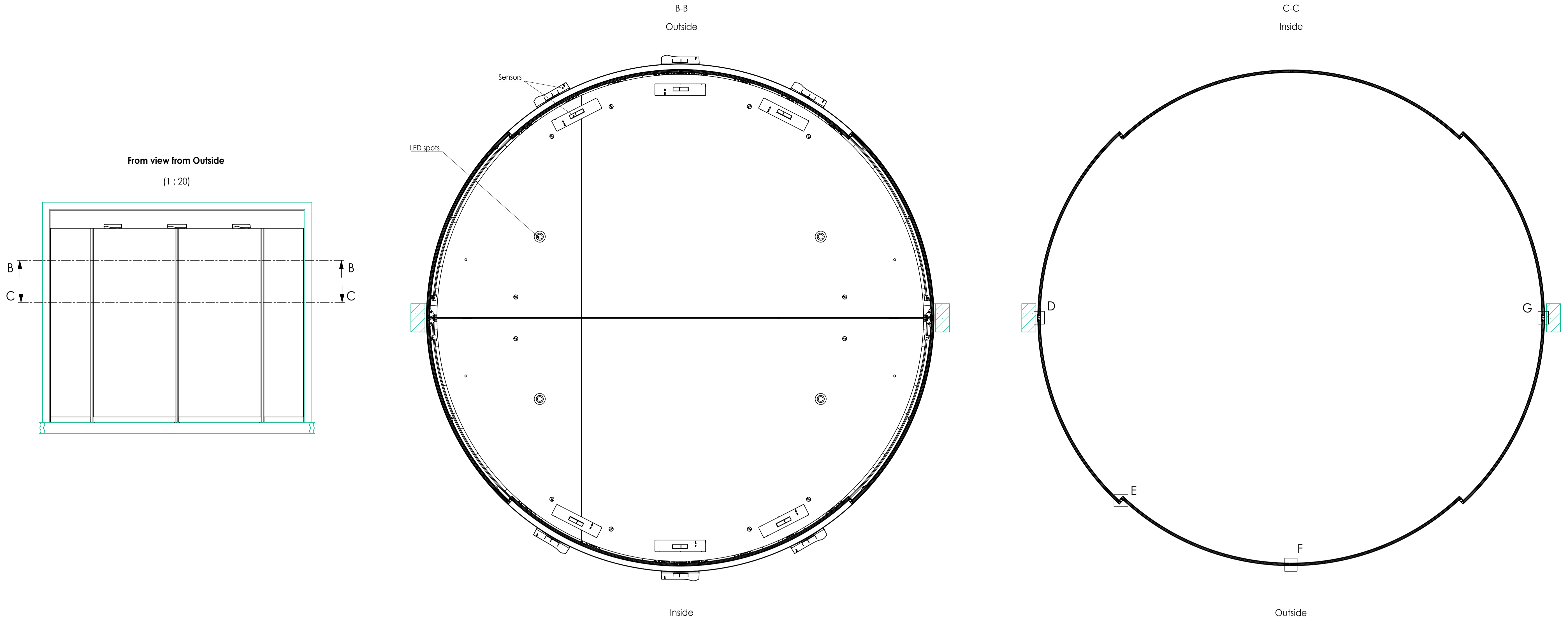
A-A  
(1 : 10)  
Inside



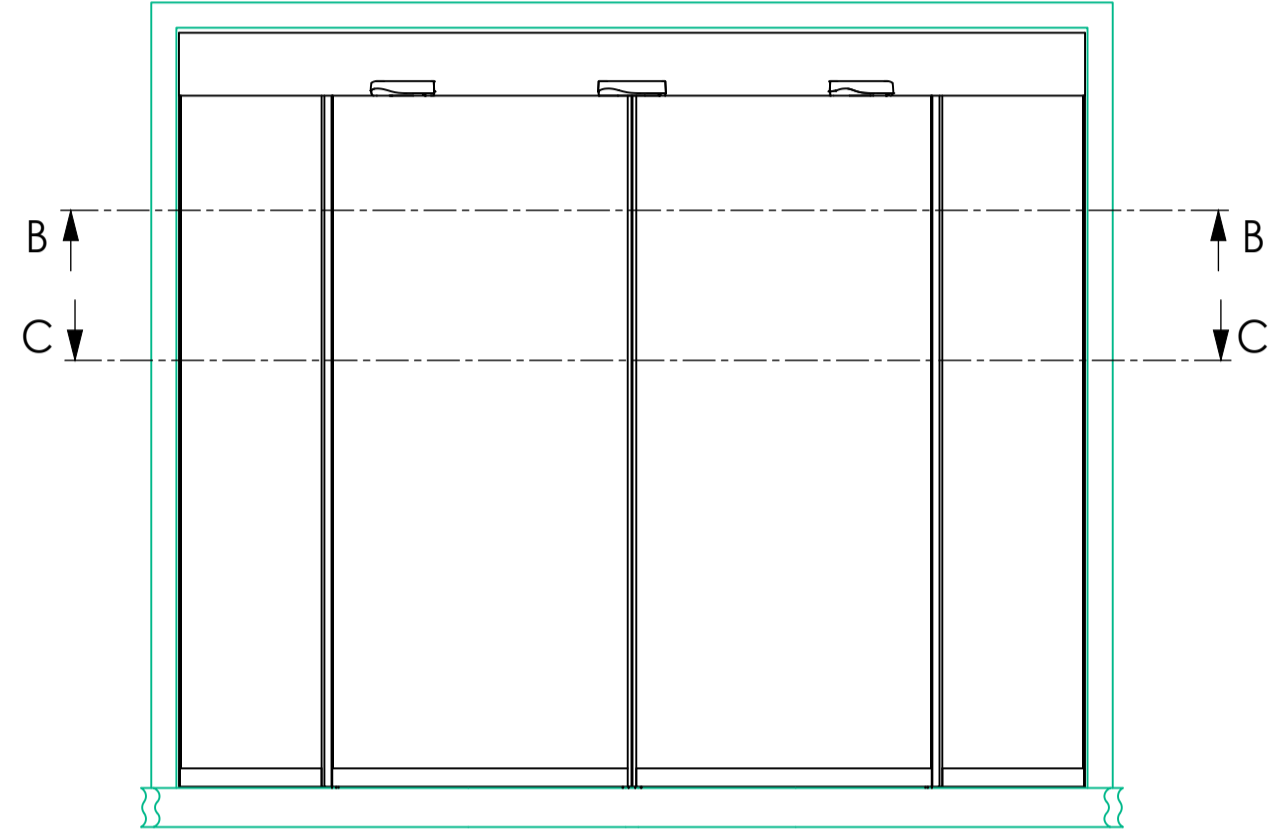
Q (exemplary dimensions)	Passage width A at max. opening angle (W=43,5°)
1600	1015
1700	1083
1800	1152
1900	1221
2000	1290
2100	1359
2200	1428
2300	1496
2400	1565
2500	1634
2600	1703
2700	1772
2800	1841
2900	1909
3000	1978
3100	2047
3200	2116
3300	2185
3400	2254
3500	2323
3600	2391

© All rights reserved. This material is the property of ASSA ABLOY Entrance Systems AB. Copying, scanning, distribution or modification in any form without consent of ASSA ABLOY Entrance Systems AB.

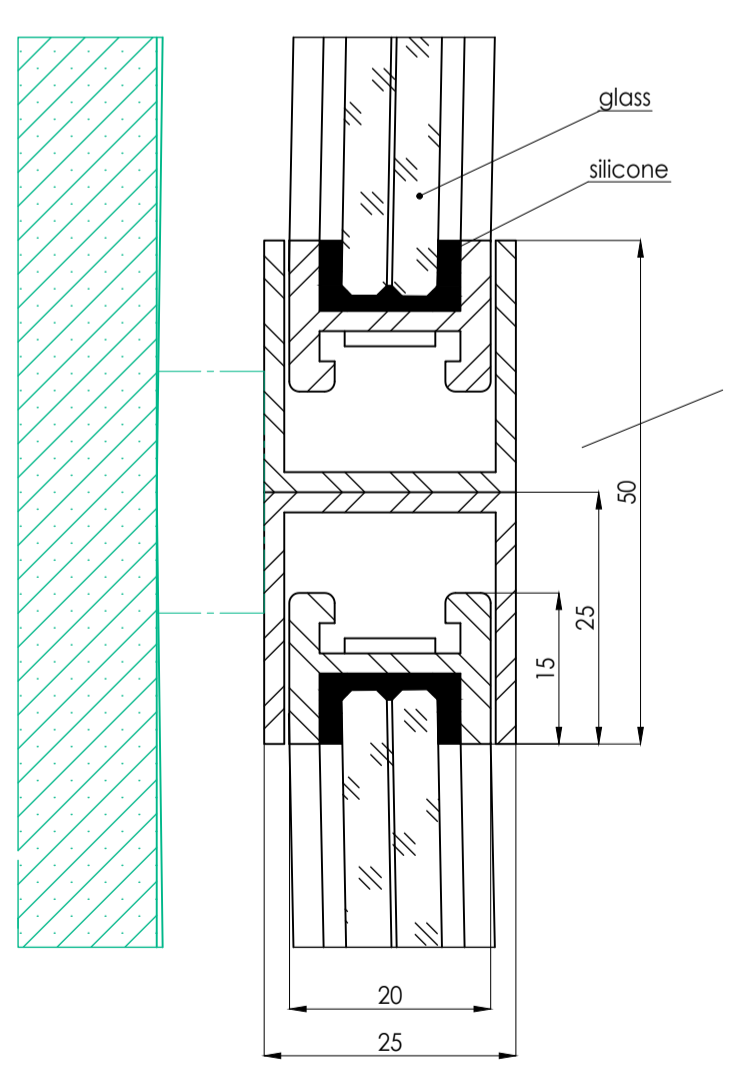
No.	Change	CM/No.	Date
A		NSA	2022-11-15



From view from Outside  
(1 : 20)

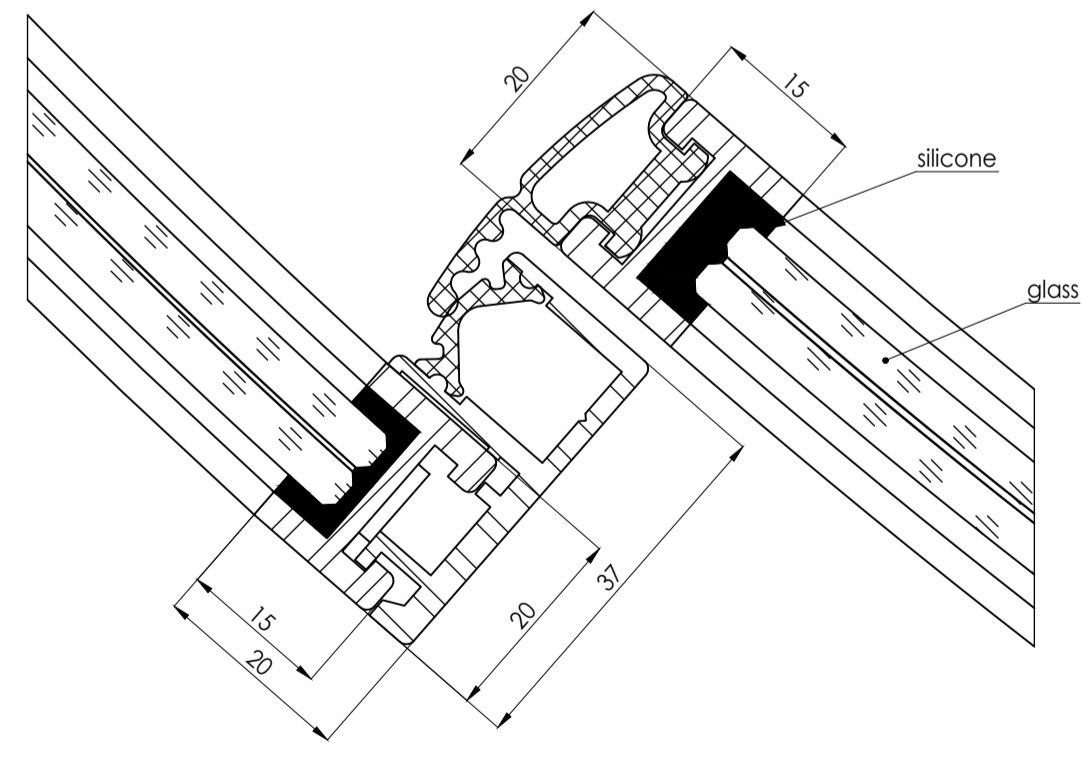


**Main + Secondary closing edge**

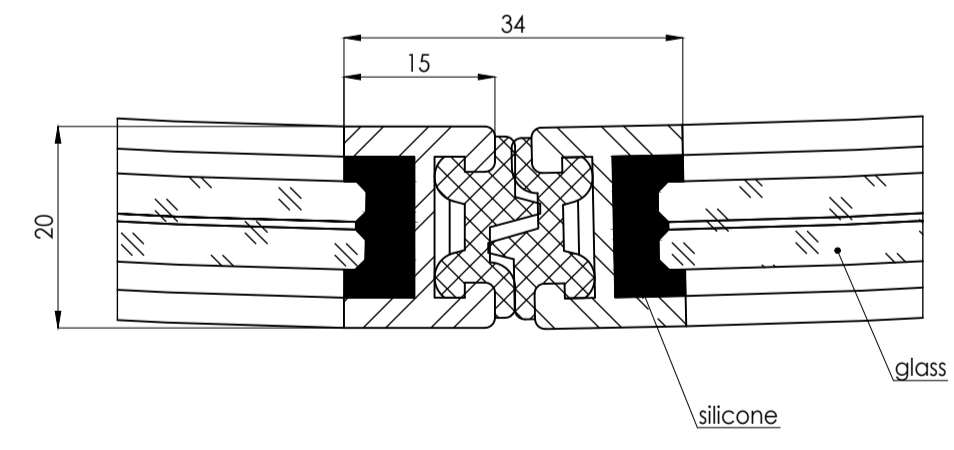


D  
(2 : 1)

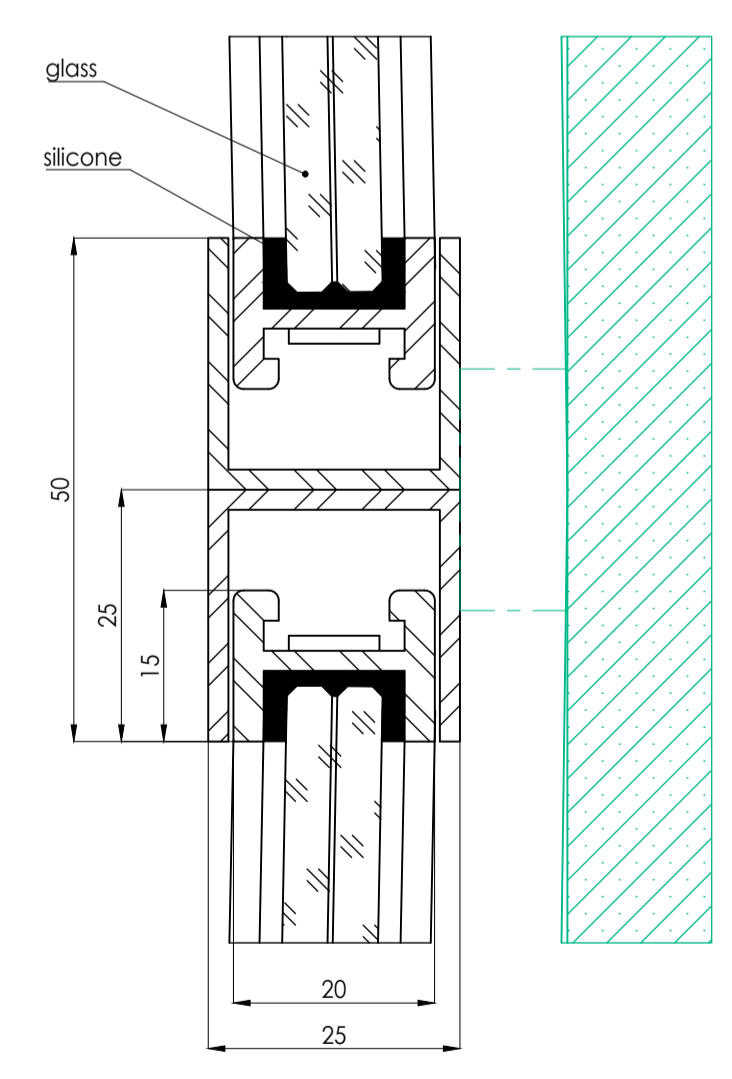
(Facade connection to be defined by customer)



E  
(2 : 1)



F  
(2 : 1)



G  
(2 : 1)

(Facade connection to be defined by customer)

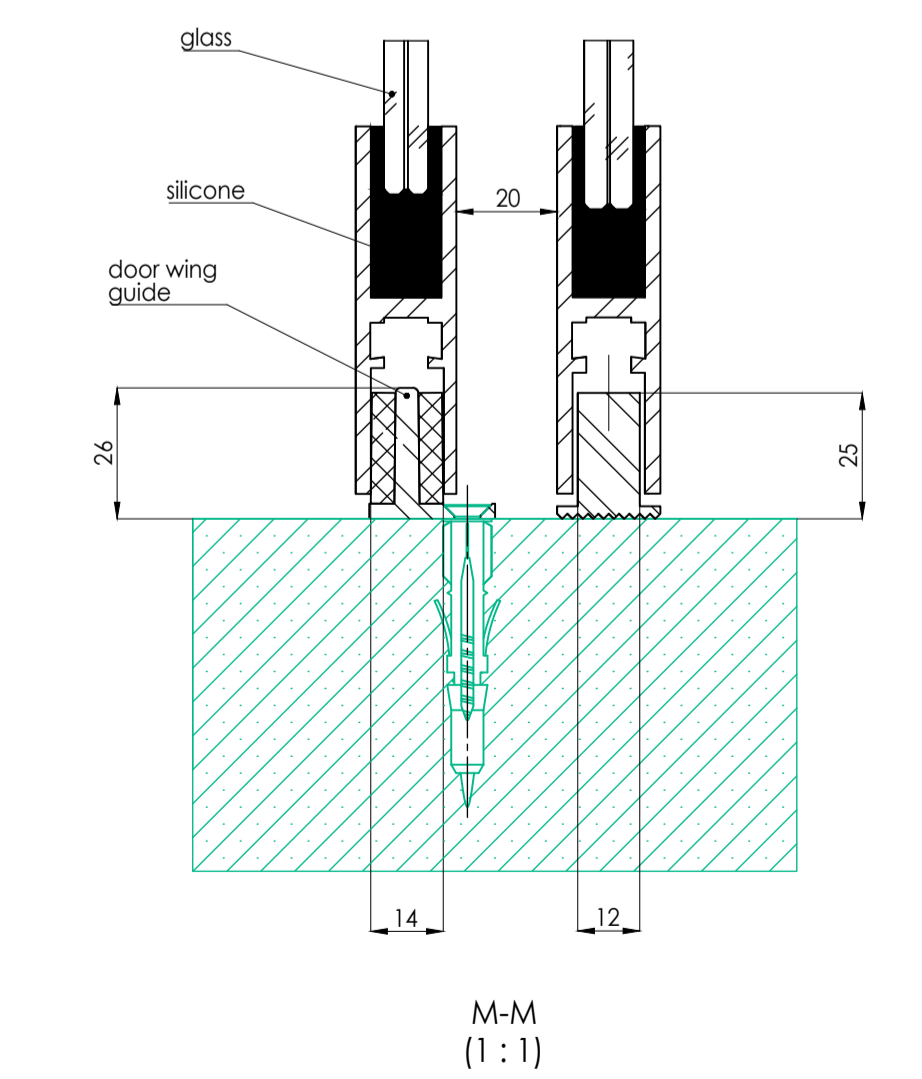
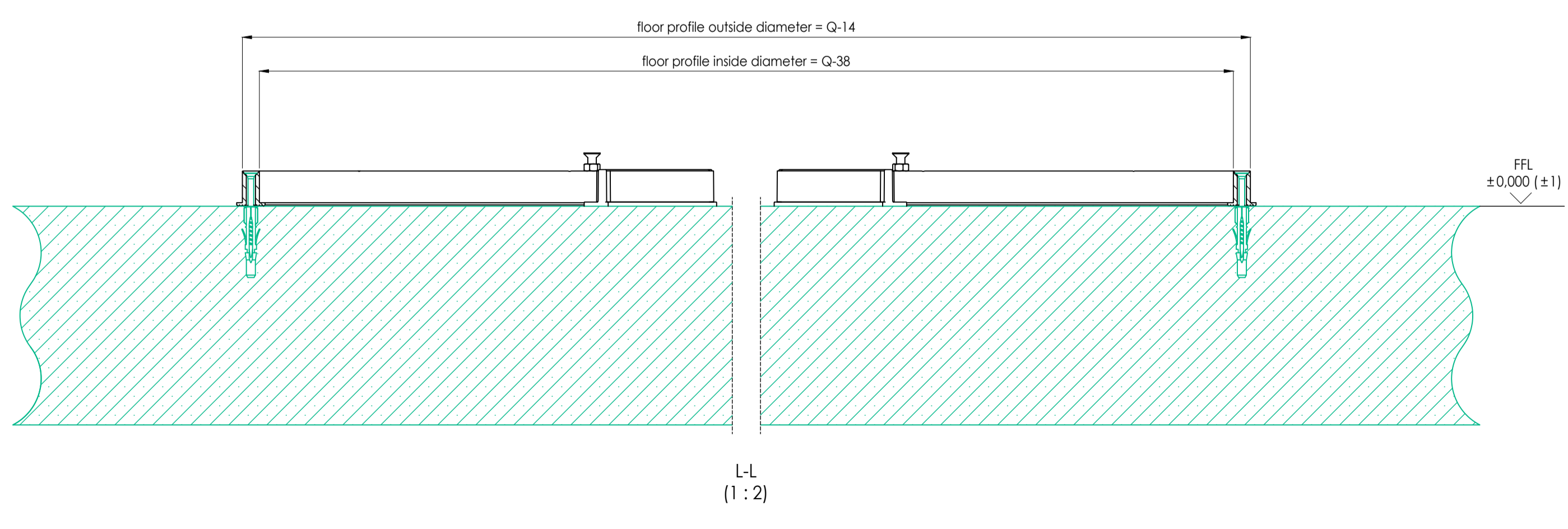
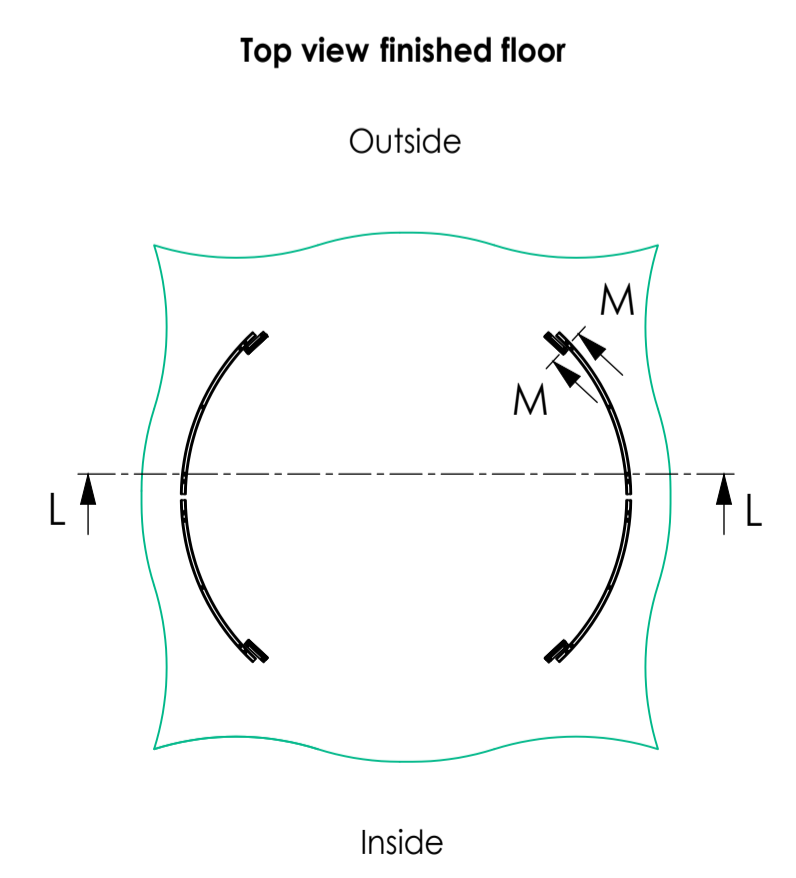
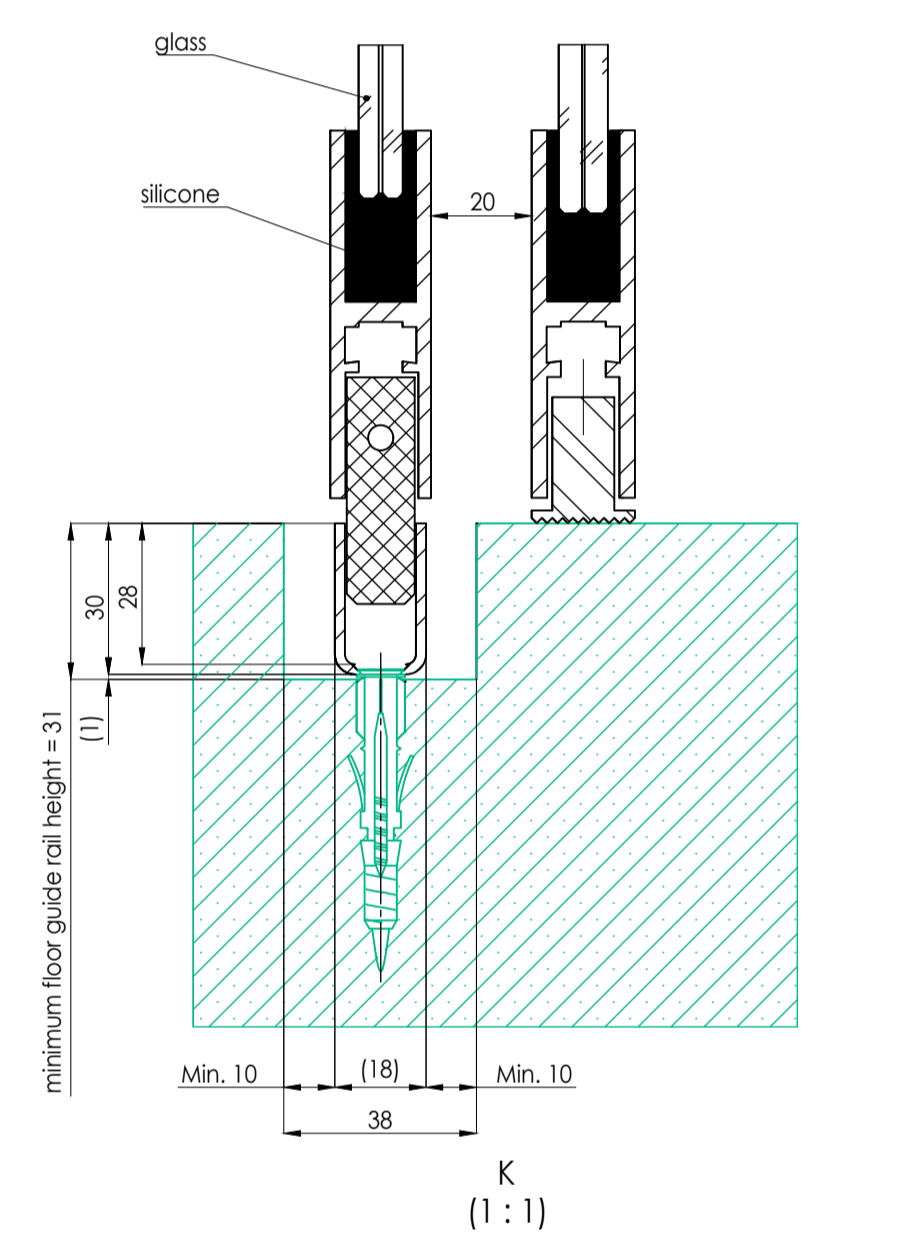
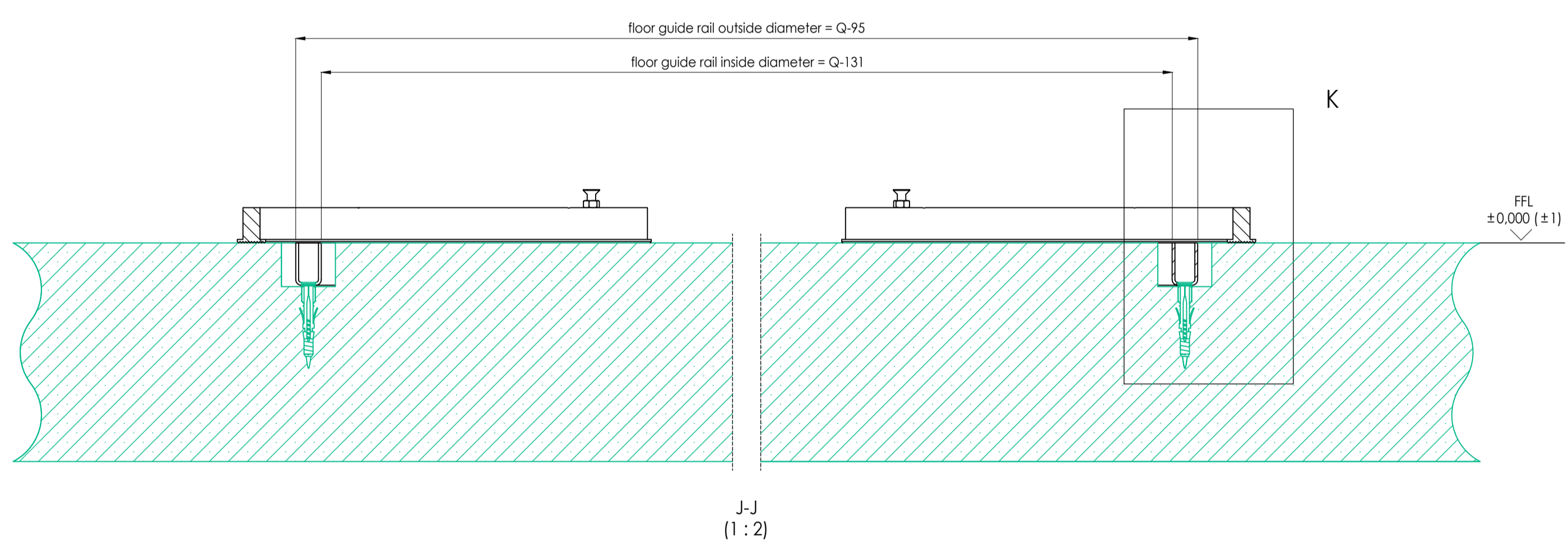
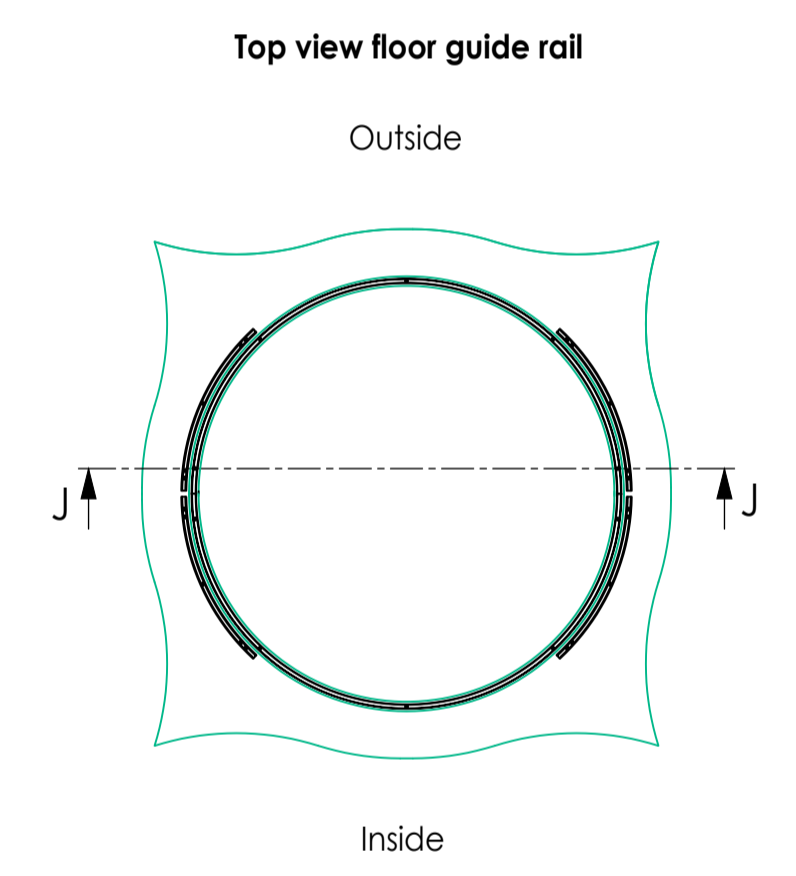
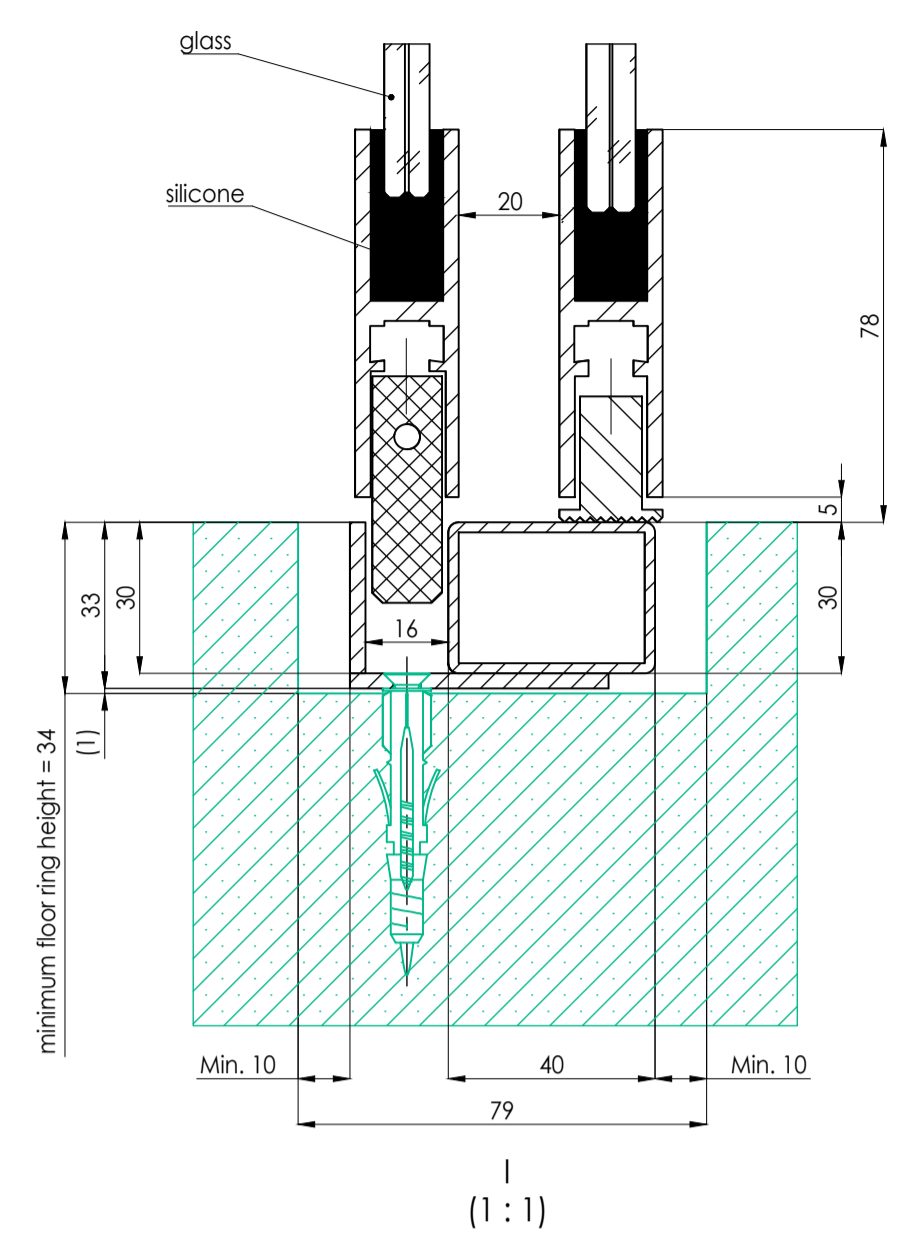
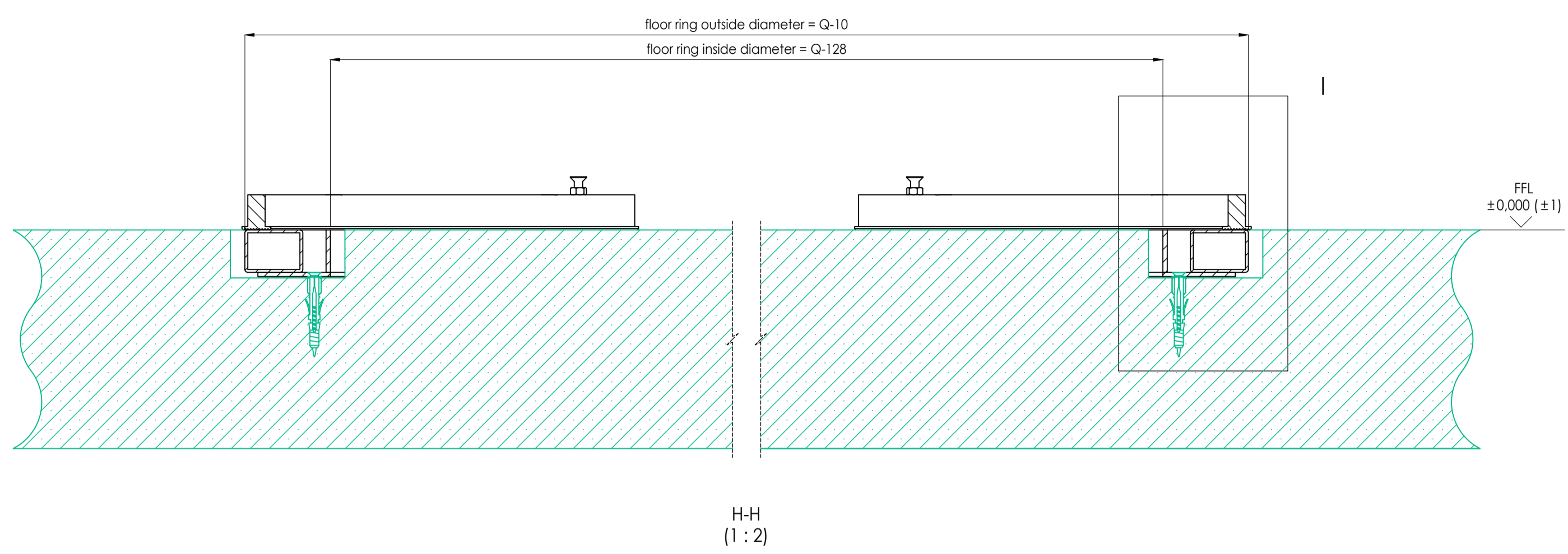
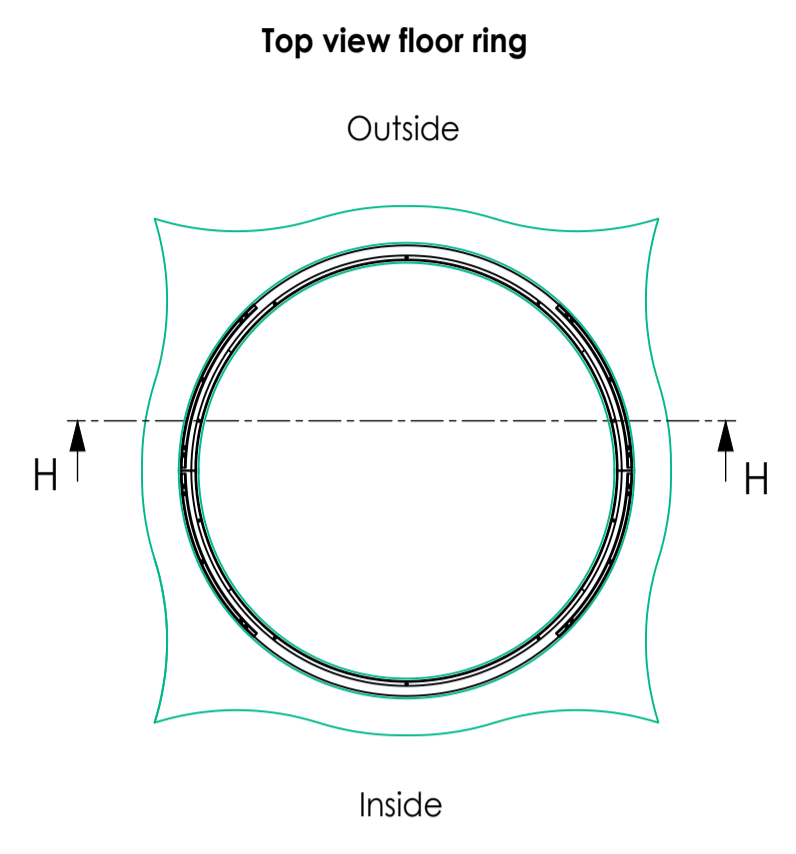
© All rights reserved. This material is the property of ASSA ABLOY Entrance Systems AB. Copying, scanning, distribution or modification in any form without consent of ASSA ABLOY Entrance Systems AB.

Surface treatment		Material	Remark
General tolerance	Fig. Method	Scale	Status
ISO 2768	1:10	SSC	2022-11-15
Description		Rev.	Size
Curved 360° - ALU 20 [mm]		A	A0
Drawing No.		Sheet	
		2 (3)	



No.	Change	CM/No.	Date
A		NSA	2022-11-15

**Floor guide**



© All rights reserved. This material is the property of ASSA ABLOY Entrance Systems AB. Copying, scanning, distribution or modification in any form without consent of ASSA ABLOY Entrance Systems AB.

Surface treatment	Material	Remark
General tolerance	Fig. method	All components marked by green circle are controlled by the customer.
ISO 2768	Scale	Drawn
	1:20	SSC
		2022-11-15
		Approved
		Rev.
		A
		3 (3)
		Sheet
		A0
		3 (3)
		Drawing No.

Curved 360° - ALU 20 [mm]