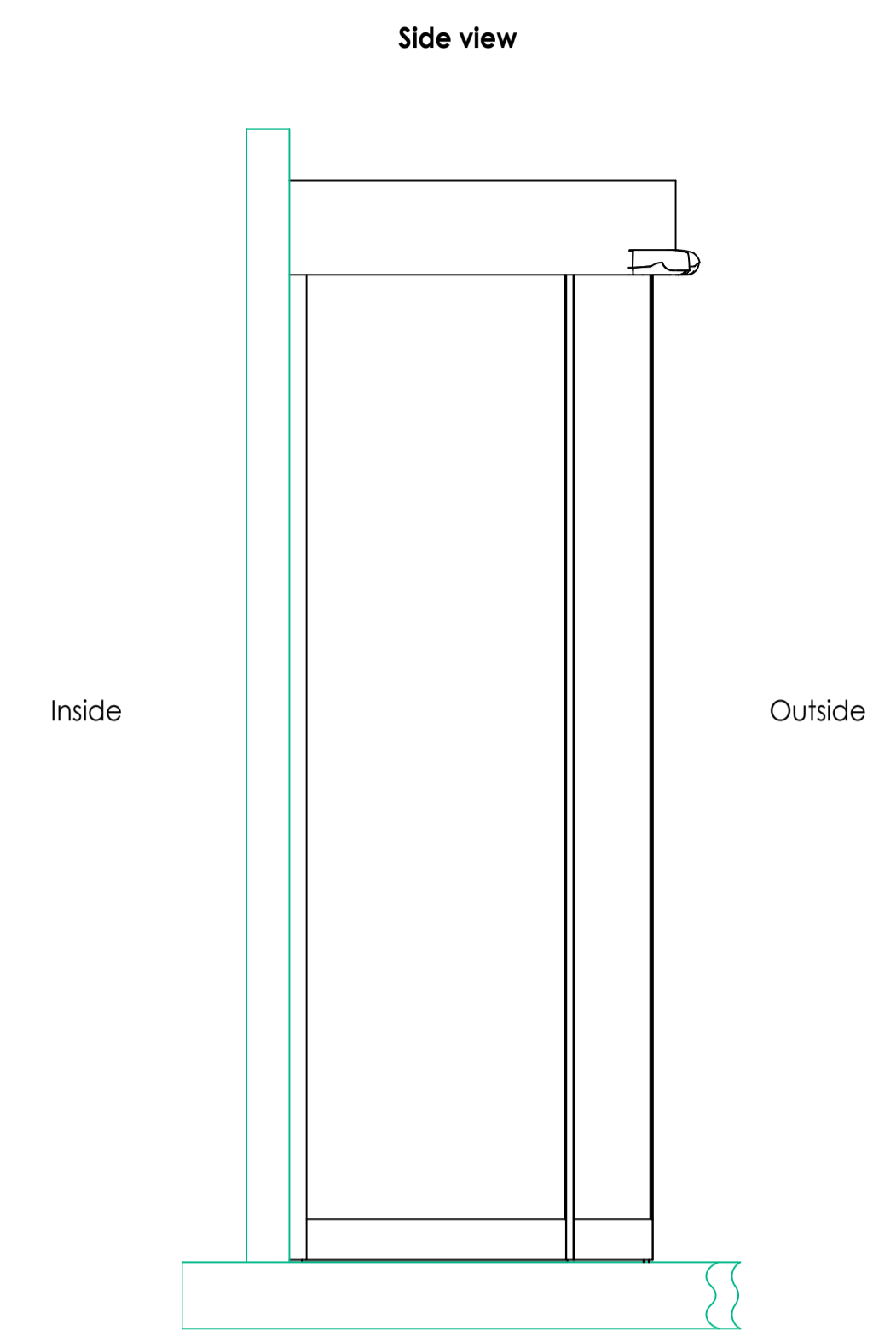
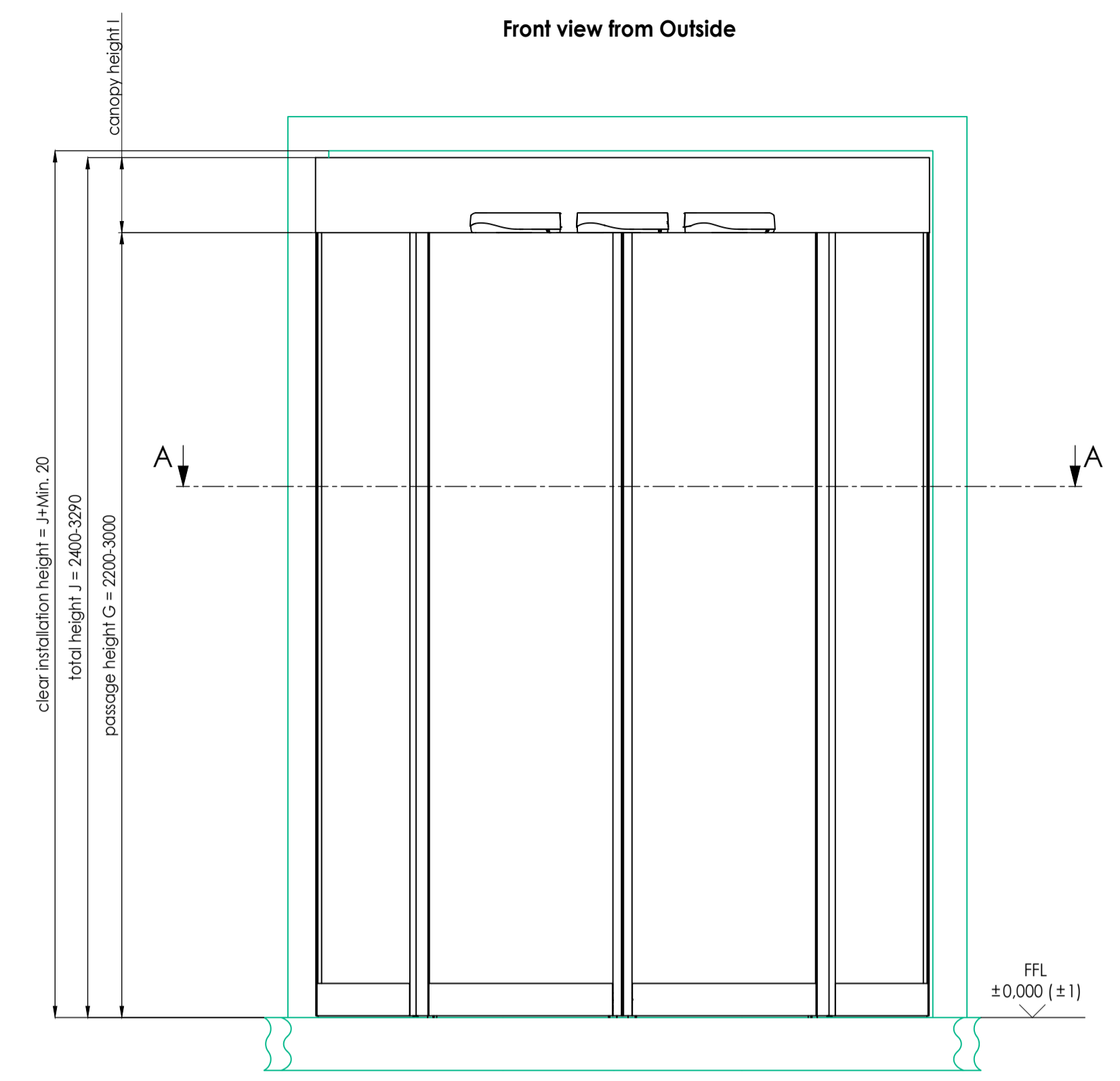
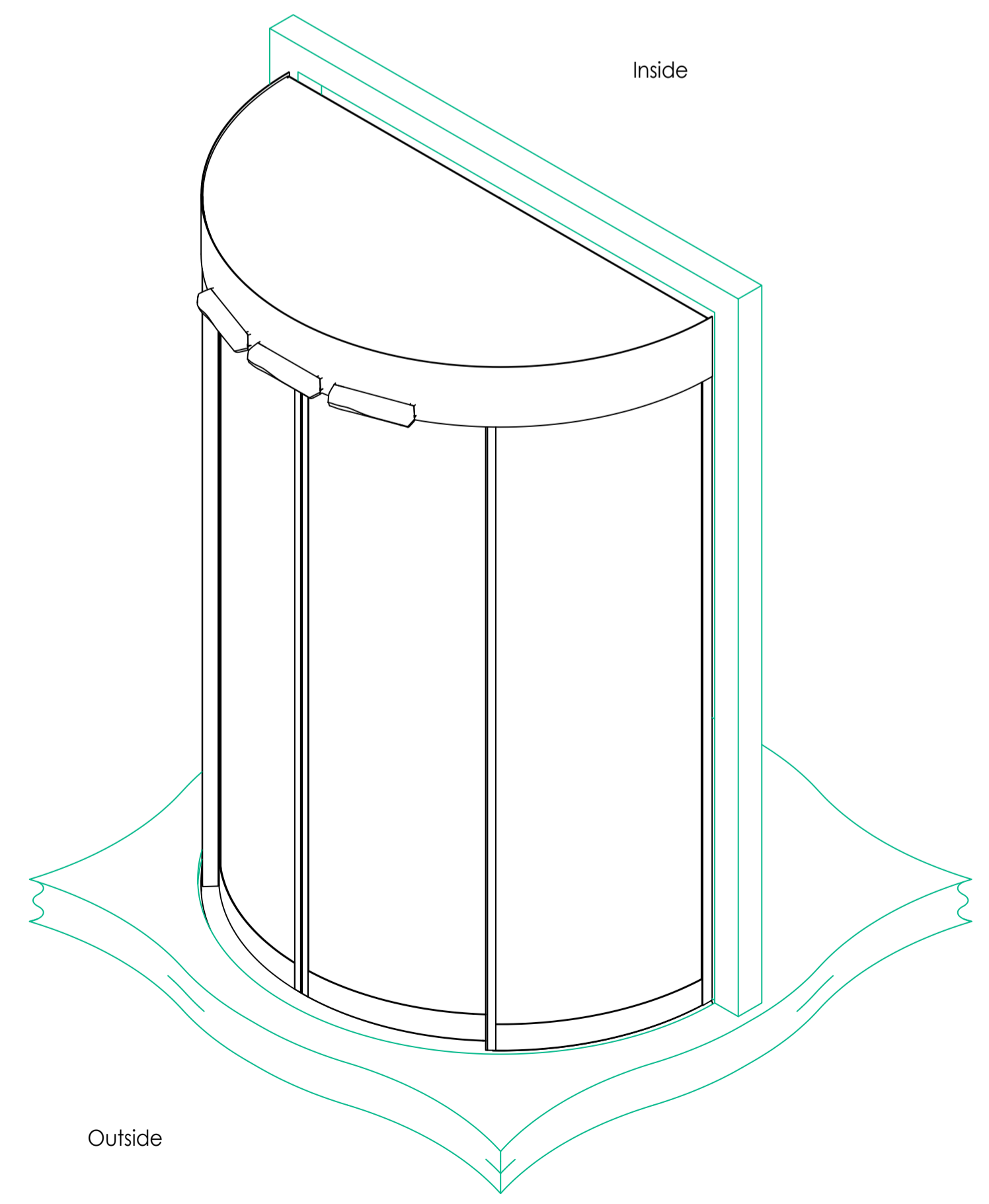
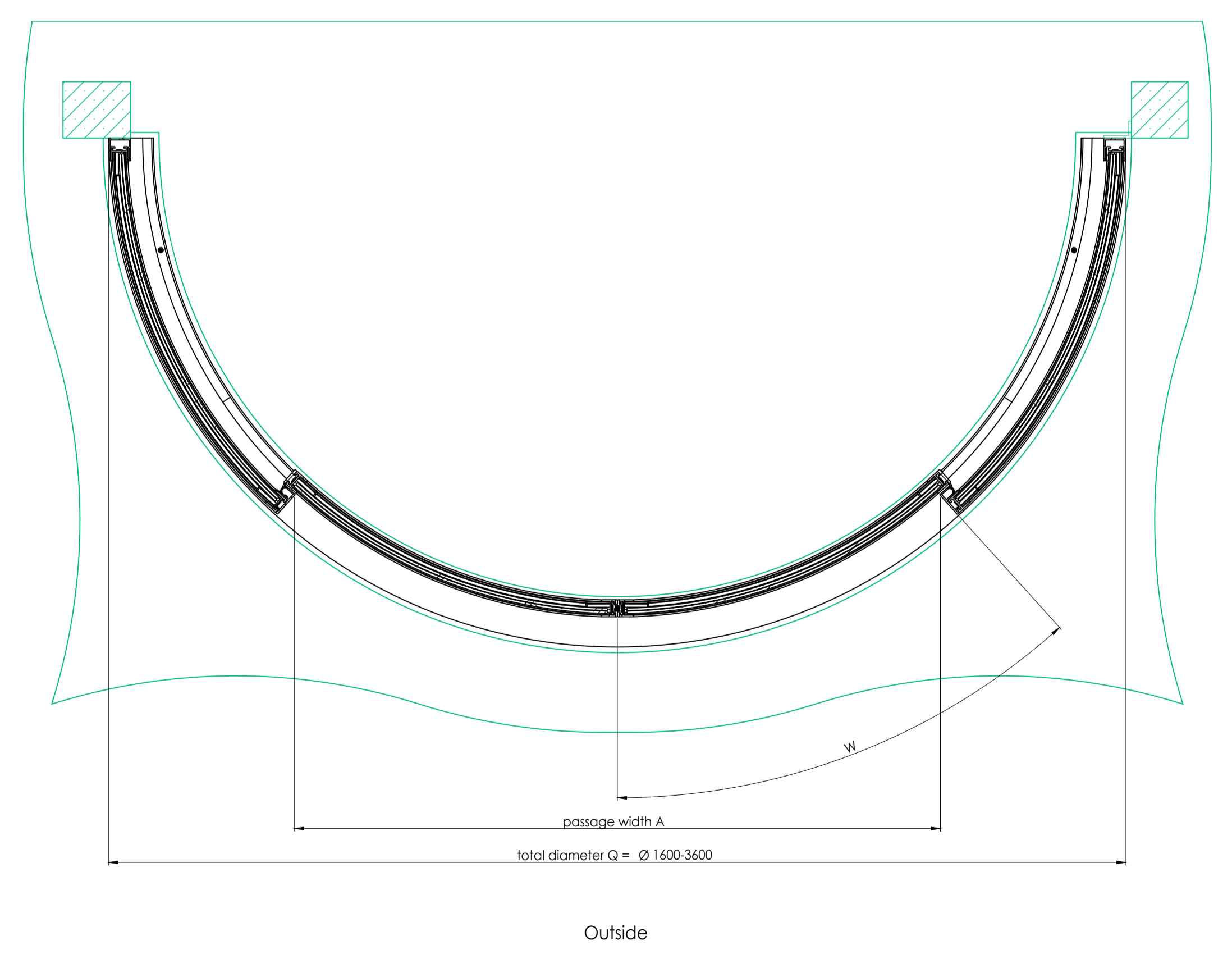


No.	Change	CM.No.	Date
A		NBA	2022-11-11



A-A  
(1 : 5)  
Inside



### Automatic Curved sliding door system Curved 180°

**Design:**  
Fully automatic double-leaf semi-circular sliding door with self-learning 32 bit door control system, low-noise, long-life door leaf guides, start impulse via motion detector; sensor protection incl. overcurrent detection; service port connection via bluetooth

**Dimensions:**  
Total diameter Q: 1600-3600 [mm]  
Passage width A: approx. 1000-2400 [mm] (see table below)  
Canopy height L: 200 / 220 / 250 / 290 [mm] standard dimensions  
291-1000 [mm] upon request  
Passage height G: 2200-3000 [mm]  
Total height J: 2400-3290 [mm] standard dimensions  
Customized dimensions upon request  
Profile system ALU 30 [mm]

**Glass:**  
Profile system 30 [mm] - 19,52 [mm] max. glass thickness

- Glass types:
- Laminated safety glass
  - Insulated glass
  - P4A and P5A for RC2/RC3

BDE-D flush mount as standard

**Options:**

**Purposes:**

- Standard
- Escape and rescue route

**Surface options:**

- Raw/untreated Aluminium
- Aluminium powder coating
- Anodized Aluminium
- Cladding (stainless steel/brass/bronze/etc.)

**Floor Guide:**

- Finished floor
- Floor guide rail
- Floor ring

**Mechanical options:**

- Air curtain (dependent on other options)
- Resistance class RC2/RC3
- Locking device
- Roof options:
  - White coated chipboard
  - Dust roof cover
  - Water-tight tray roof
- Facade connection

**Electrical options:**

- Input for fire alarm
- Door position contact "closed"
- Lock monitoring contact
- Uninterrupted power supply
- LED build-in Lights
- Emergency stop switch
- Emergency opening switch
- Battery pack
- Control unit BDE-D surface mount (flush mount as standard)
- Key operating switch BDE-V

Q [exemplary dimensions]	Passage width A at max. opening angle [W=43,5°]
1600	987
1700	1056
1800	1125
1900	1194
2000	1262
2100	1331
2200	1400
2300	1469
2400	1538
2500	1607
2600	1675
2700	1744
2800	1813
2900	1882
3000	1951
3100	2020
3200	2157
3300	2157
3400	2226
3500	2295
3600	2364

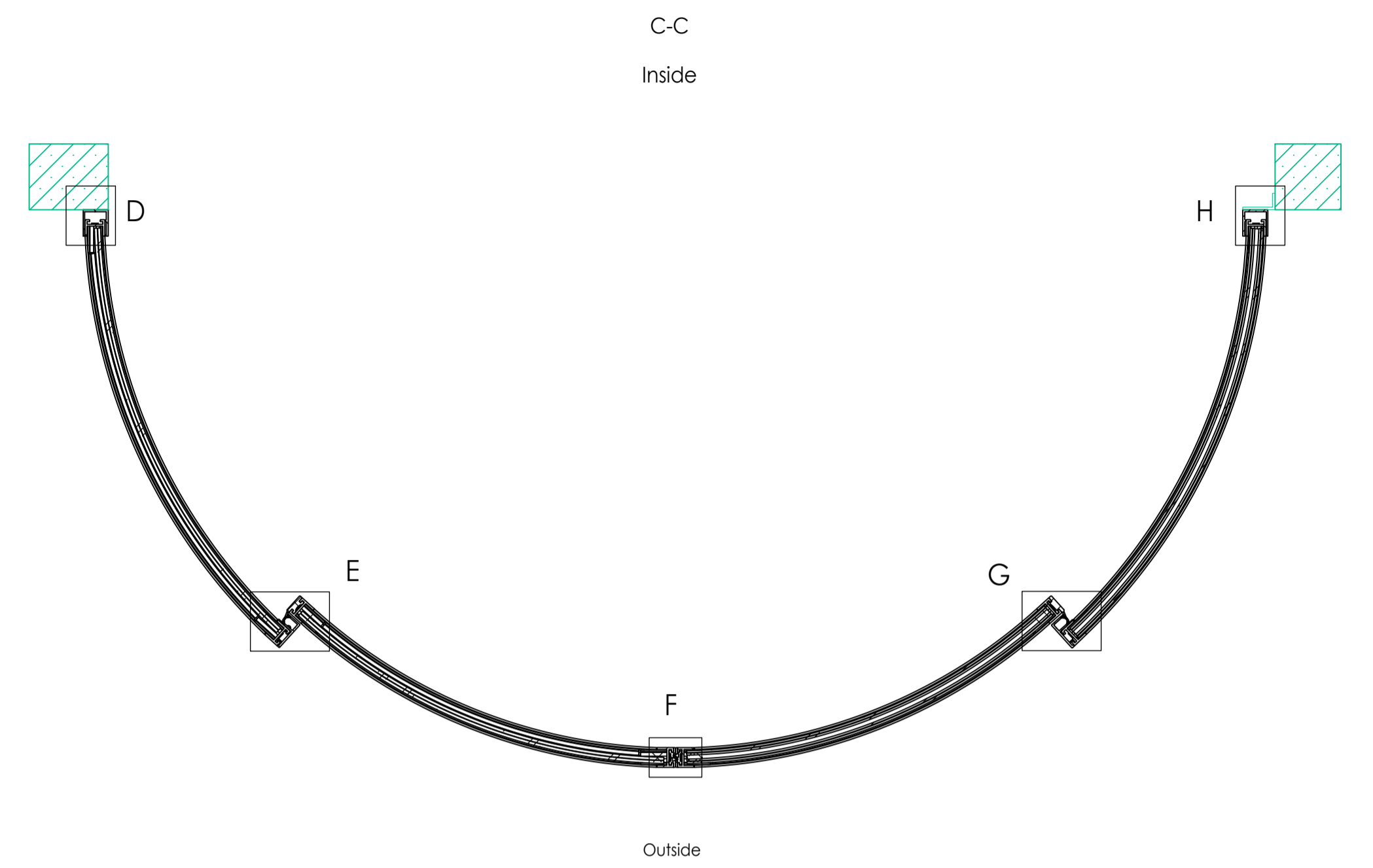
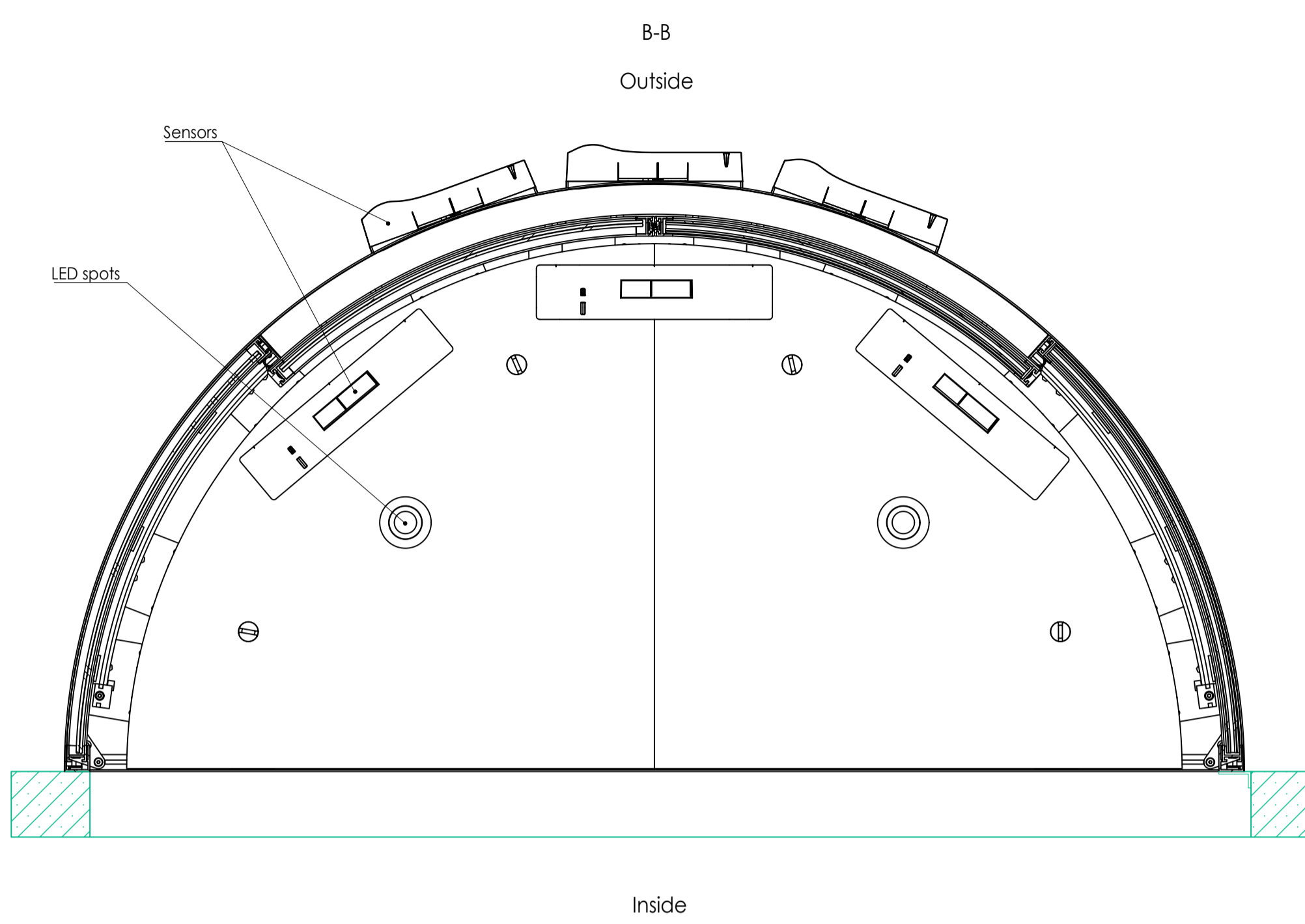
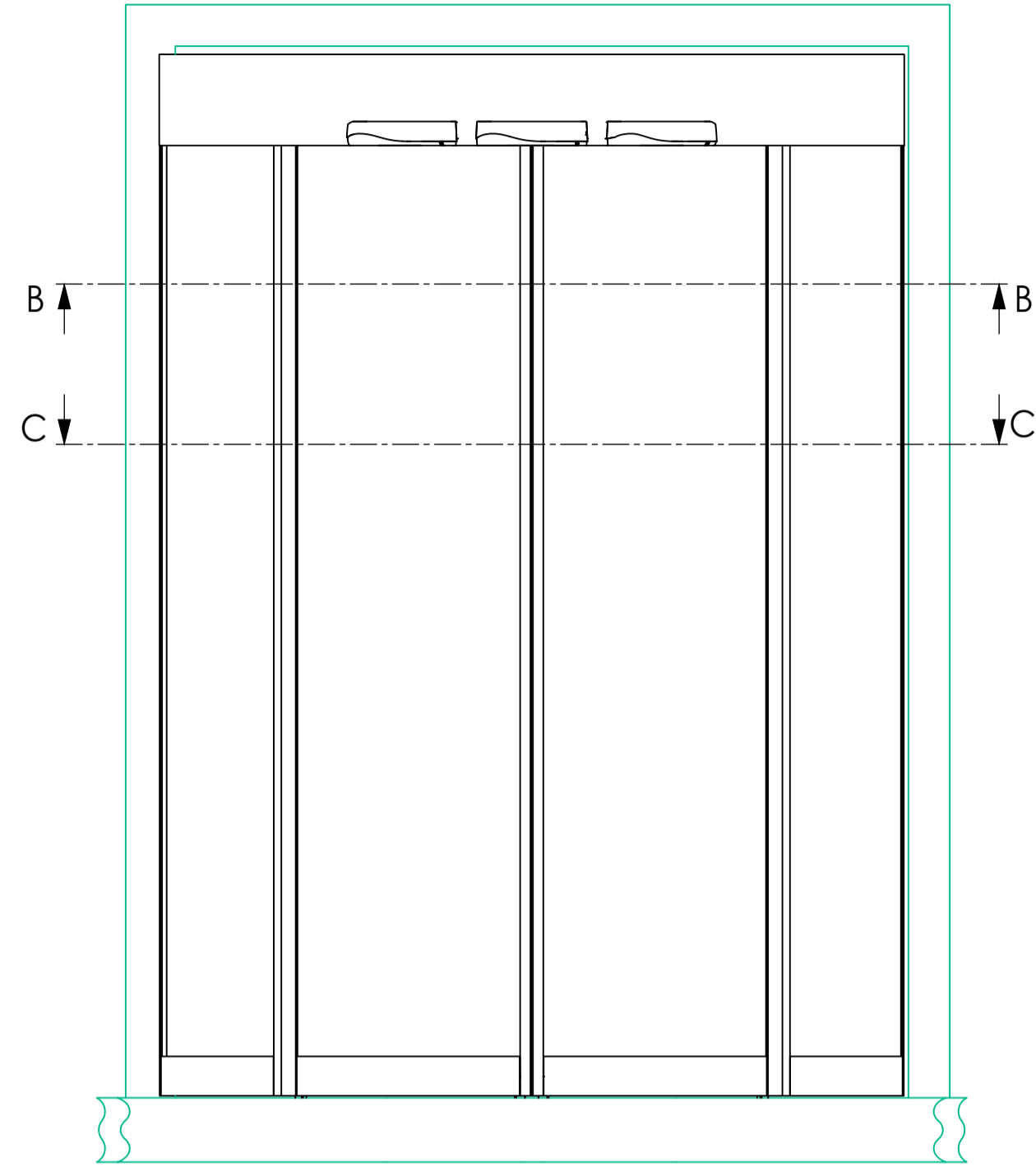
Passage width A for RC2/RC3 is slightly lower (30-40 mm)  
Max. Opening angle for outer Ø1600 - 1999mm = 41,7°  
Max. Opening angle for outer Ø2000 - 2599mm = 42,4°  
Max. Opening angle for outer Ø2600 - 2999mm = 43,0°  
Max. Opening angle for outer Ø3000 - 3399mm = 43,3°  
Max. Opening angle for outer Ø3400 - 3600mm = 43,5°

© All rights reserved. This material is the property of ASSA ABLOY Entrance Systems AB. Copying, scanning, distribution or modification in any form without consent of ASSA ABLOY Entrance Systems AB.

Surface treatment	Material	Remark
General tolerance	1:10	SSC
2022-11-11	2022-11-11	Approved
Curved 180° - ALU 30 [mm]	A0	1 (3)

No.	Change	CM.No.	Date
A		NSA	2022-11-11

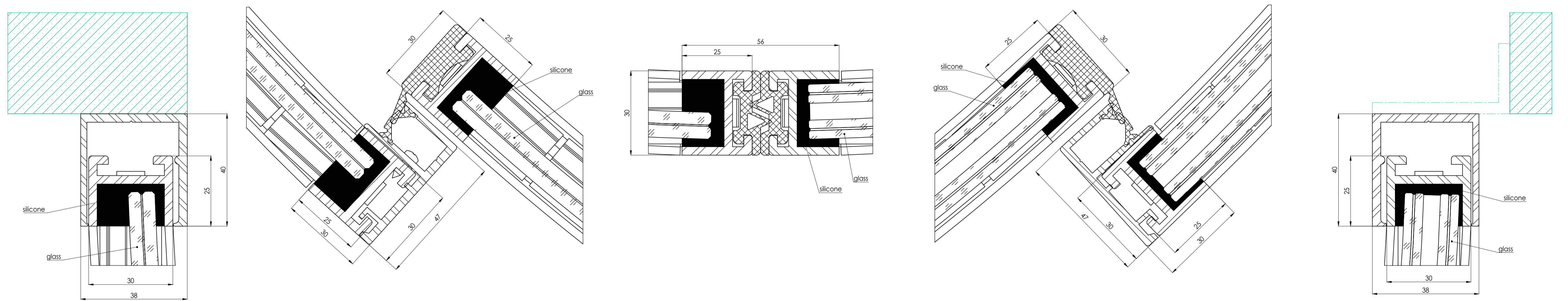
Front view from Outside



**Main + Secondary closing edge**

Example: Laminated safety glass, 9.52mm

Example: Insulated glass, 19.52mm



D (2:1)

E (2:1)

F (2:1)

G (2:1)

H (2:1)

(Facade connection to be defined by customer)

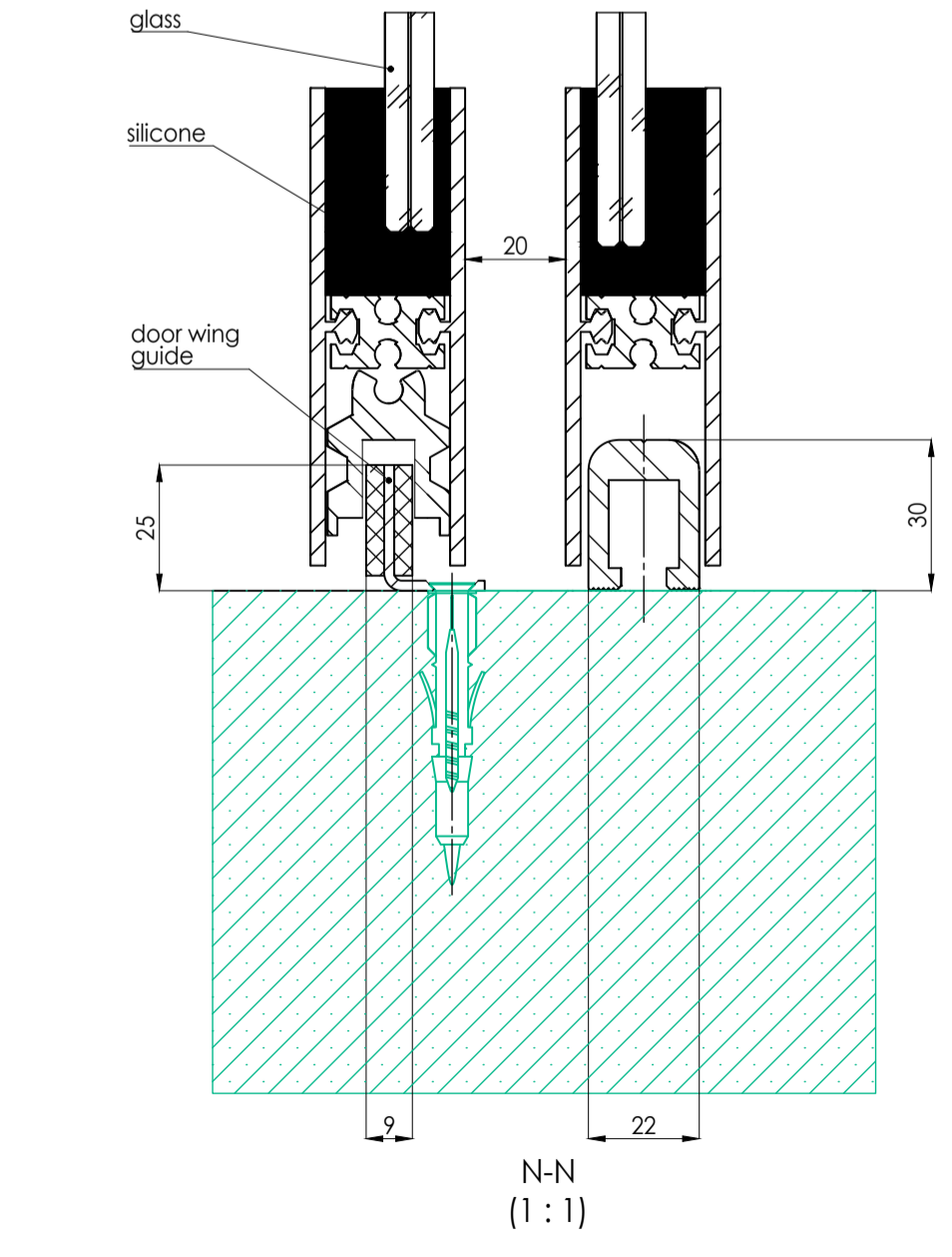
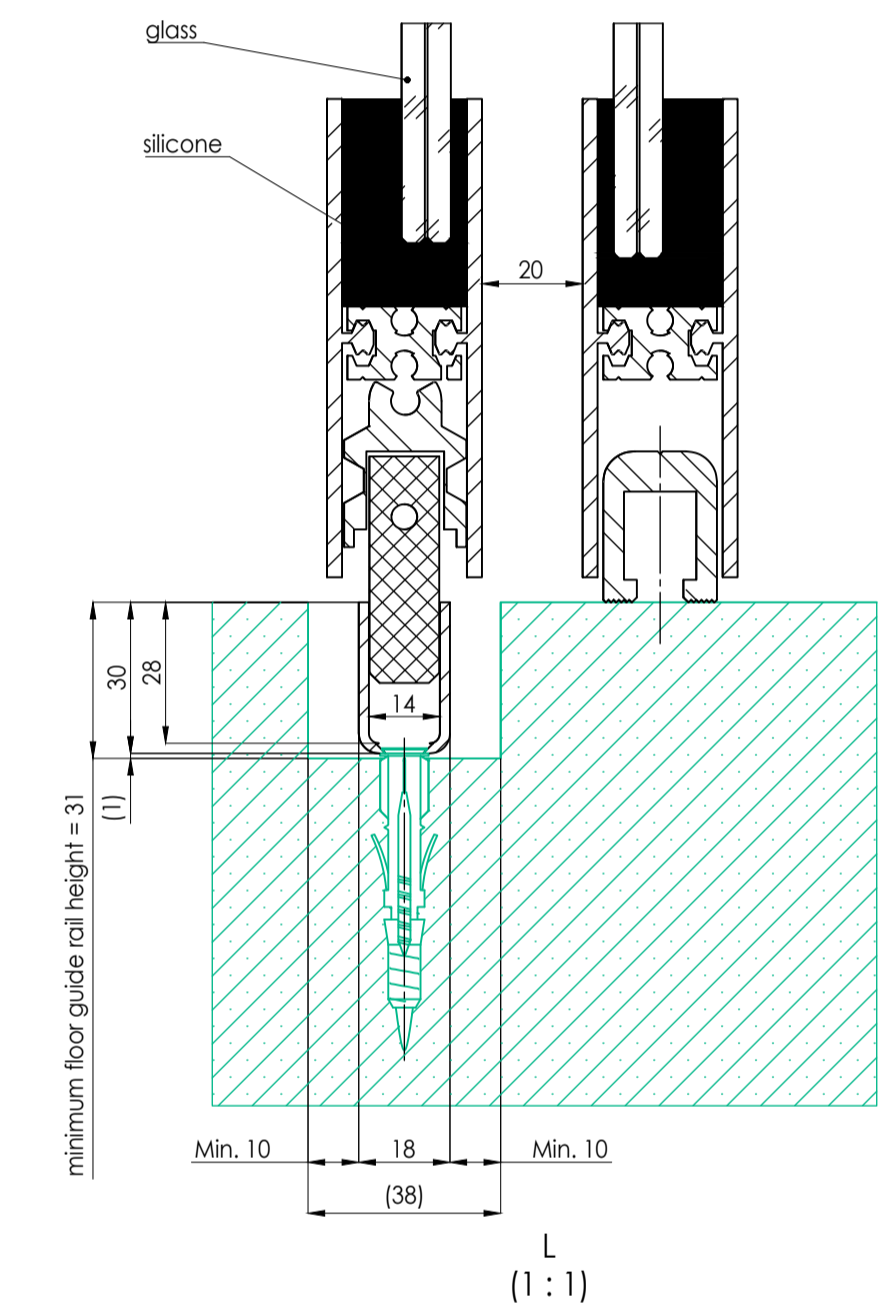
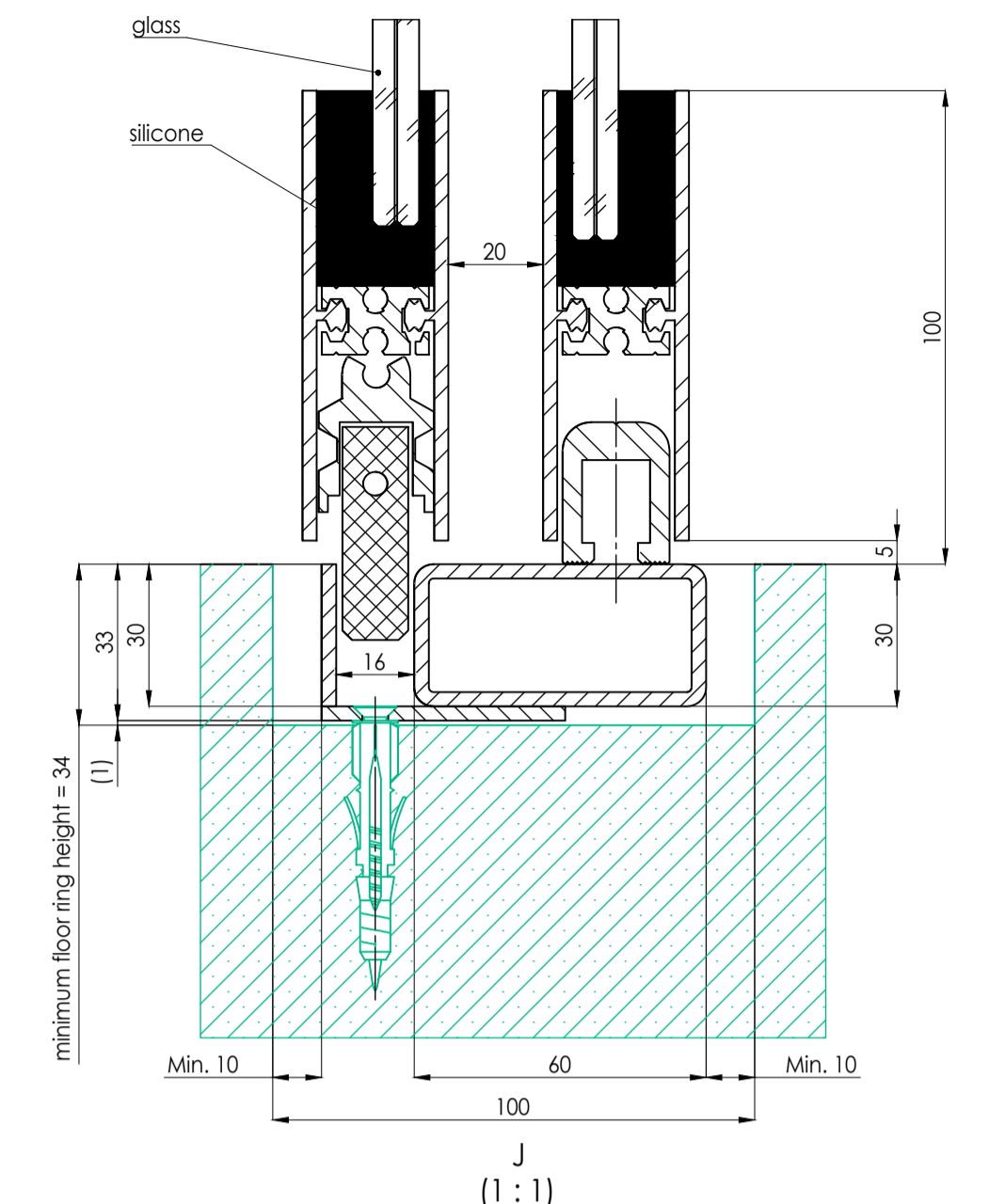
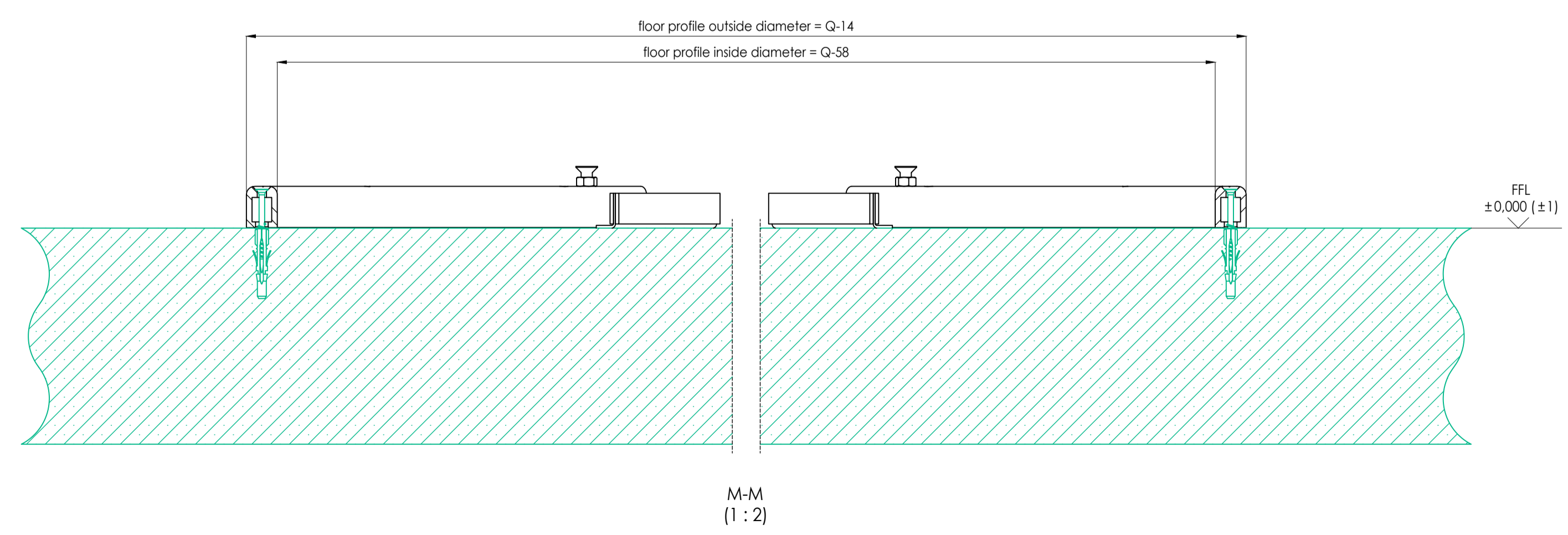
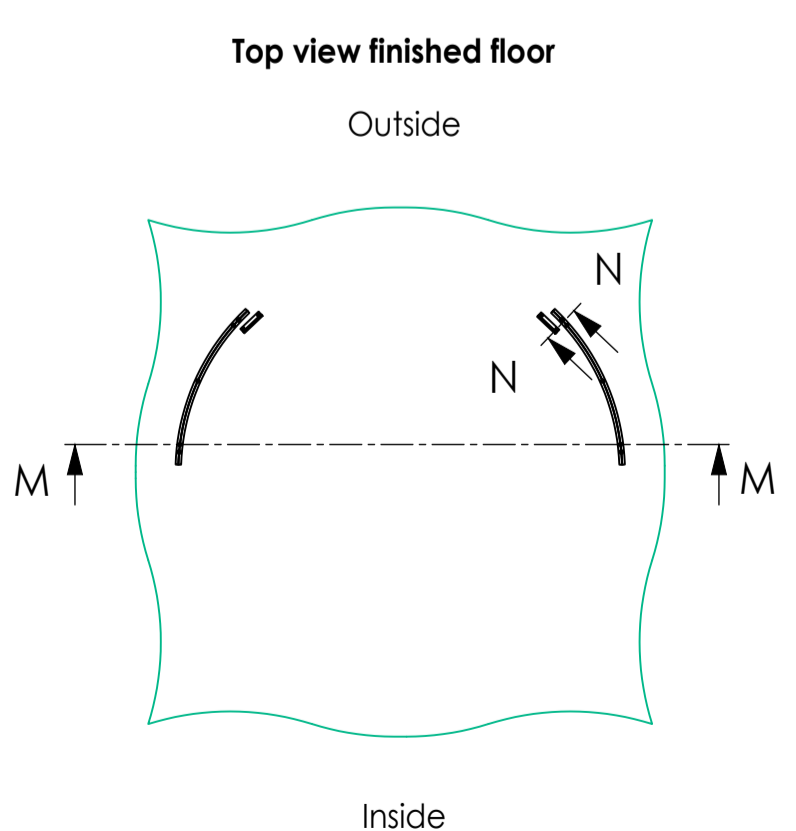
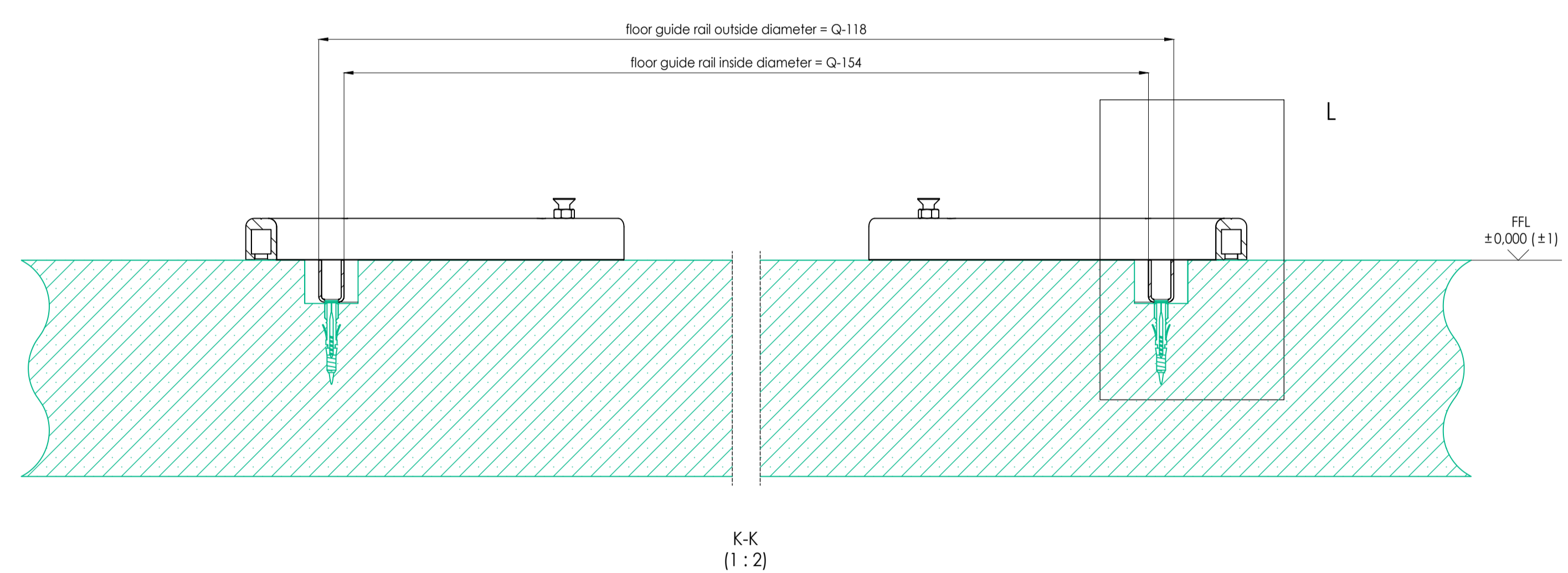
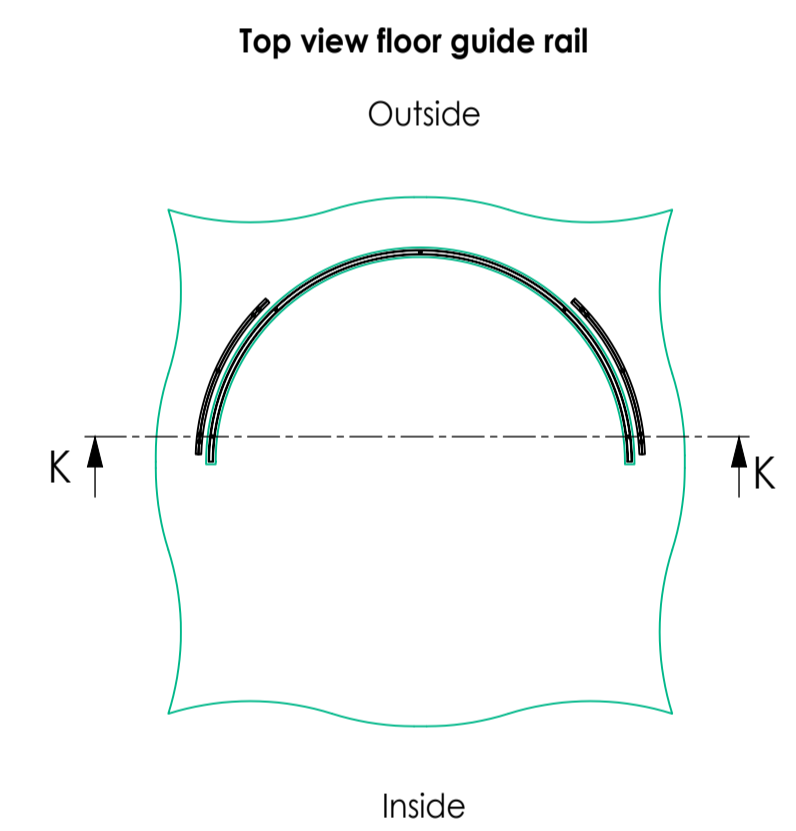
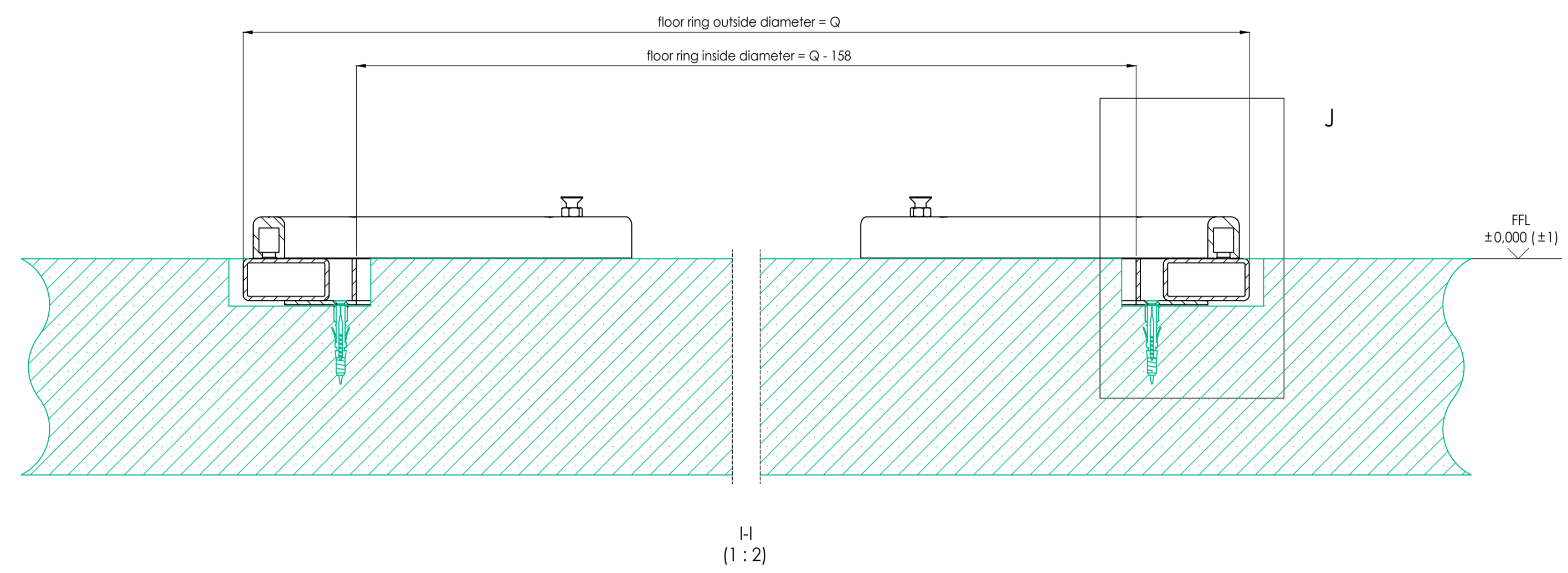
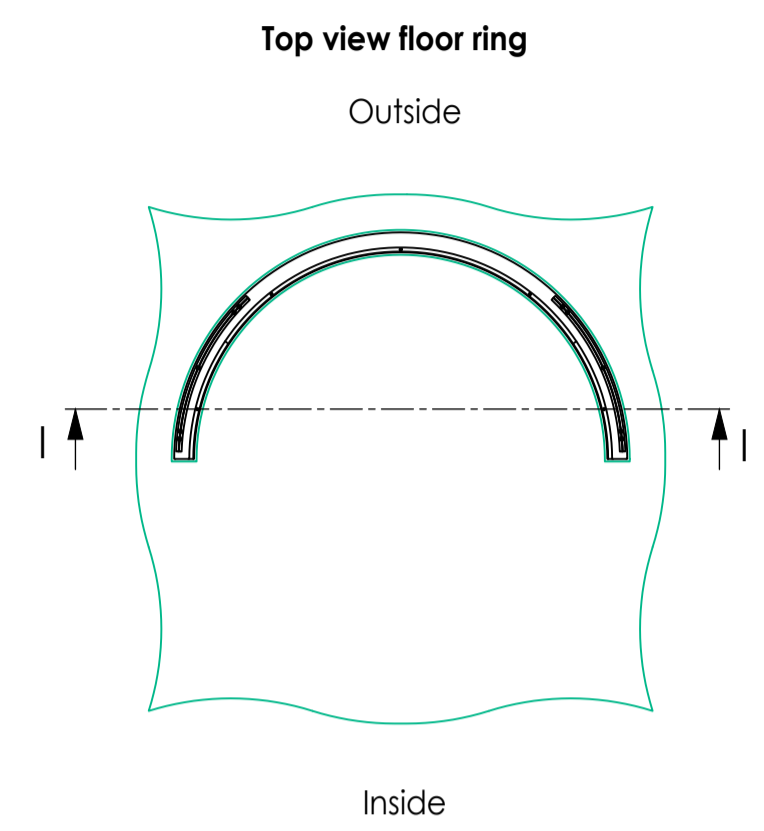
(Facade connection to be defined by customer)

© All rights reserved. This material is the property of ASSA ABLOY Entrance Systems AB. Copying, scanning, illustrating or modification in any form without consent of ASSA ABLOY Entrance Systems AB.

Surface treatment		Material	Remark
General tolerance	Proj. method	Scale	Drawn
ISO 2768	1:10	SSC	2022-11-11
Description		Rev.	Sheet
Curved 180° - ALU 30 [mm]		A	A0 2 (3)
Drawing No.		Date	
		2022-11-11	

No.	Change	CM No.	Date
A			NSA 2022-11-11

### Floor guide



Surface treatment	Material	Remark
General tolerance	Fig. method	All components marked by green are to be covered off by the customer.
ISO 2768	Scale	Approved
	Drawn	Rev.
	SSC	A
	Date	Size
	2022-11-11	A0
		Sheet
		3 (3)
Description		Drawing No.
Curved 180° - ALU 30 [mm]		

© All rights reserved. This material is the property of ASSA ABLOY Entrance Systems AB. Copying, scanning, distribution or modification in any form without consent of ASSA ABLOY Entrance Systems AB.