

**Design:**  
Fully automatic double-leaf circular sliding door with self-learning 32 bit door control system, low-noise, long-life door leaf guide, start impulse triggered by a motion detector; sensor protection incl. overcurrent detection; i-record connection via bluetooth

**Dimensions:**  
Overall diameter Q: 1600-2500 [mm]  
Passage width A: 987-1634 [mm]  
Canopy height I: 220-1000 [mm]  
Clearance height G: 2000-3000 [mm]  
Total height J: 2220-4000 [mm]  
Profile-System ALU 20 or 30 width [mm]

**Glass:**  
Profile-System 20mm - 9,52 max. glass thickness  
Profile-System 30mm - 19,52 max. glass thickness

Signal light and BDE-D surface mount always as standard

**Options:**

**Floor Guide:**

- Finished floor
- Floor guide rail
- Floor ring

**Mechanical options:**

- Resistance class RC2/RC3 (30 mm Profile system)
- Air curtain (dependent on other options)
- Locking device (inside/outside)

**Roof options:**

- White coated chipboard
- Dust roof cover
- Water-tight tray roof
- Facade connection

**Electrical options:**

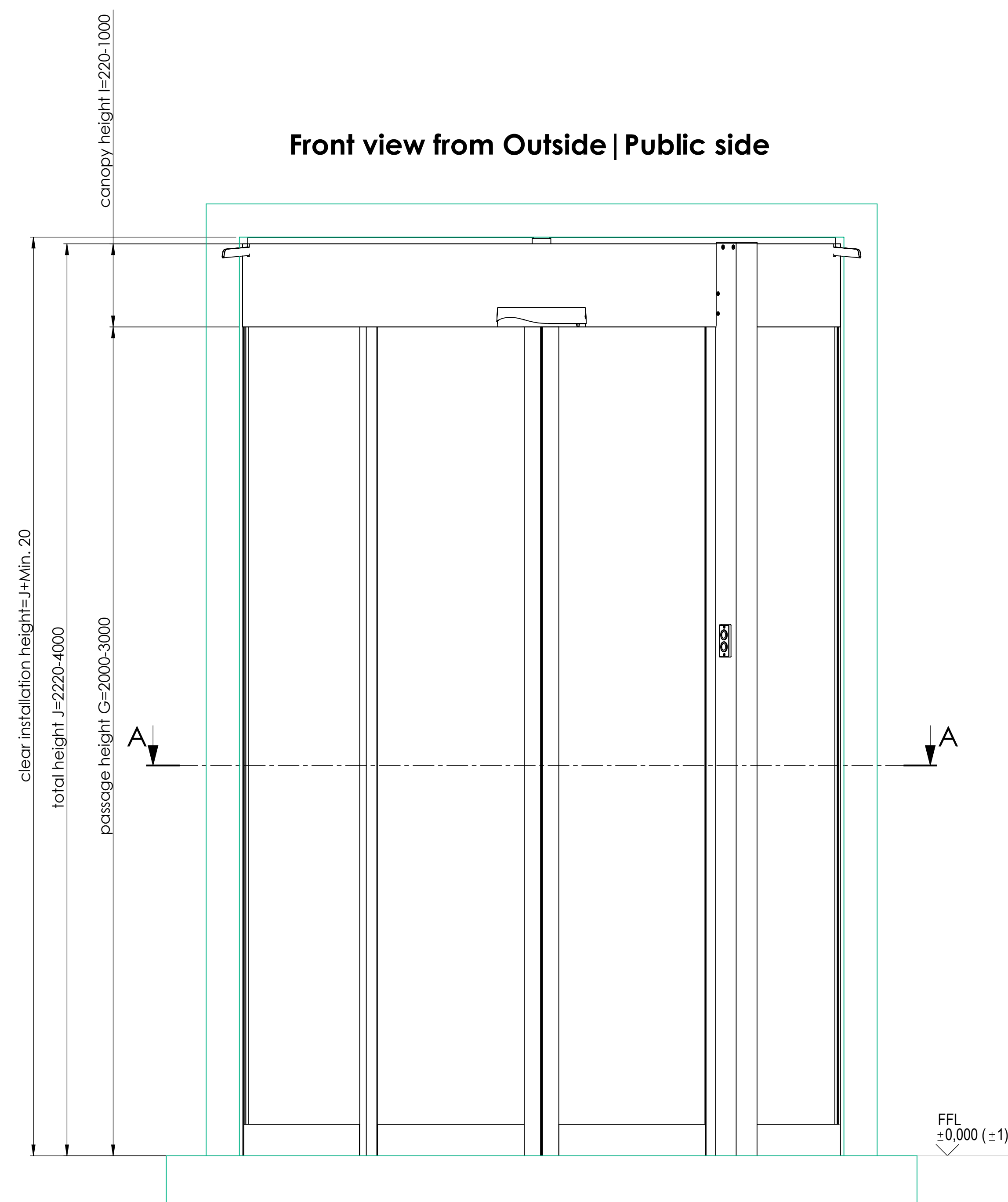
- Input for fire alarm
- Door position contact "closed"
- Lock monitoring contact
- Uninterrupted power supply
- LED build-in Lights
- Emergency stop switch
- Emergency opening switch
- Battery pack
- Control unit BDE-D flush mount (surface mount as standrad)
- Key operating switch BDE-V

**Access control:**

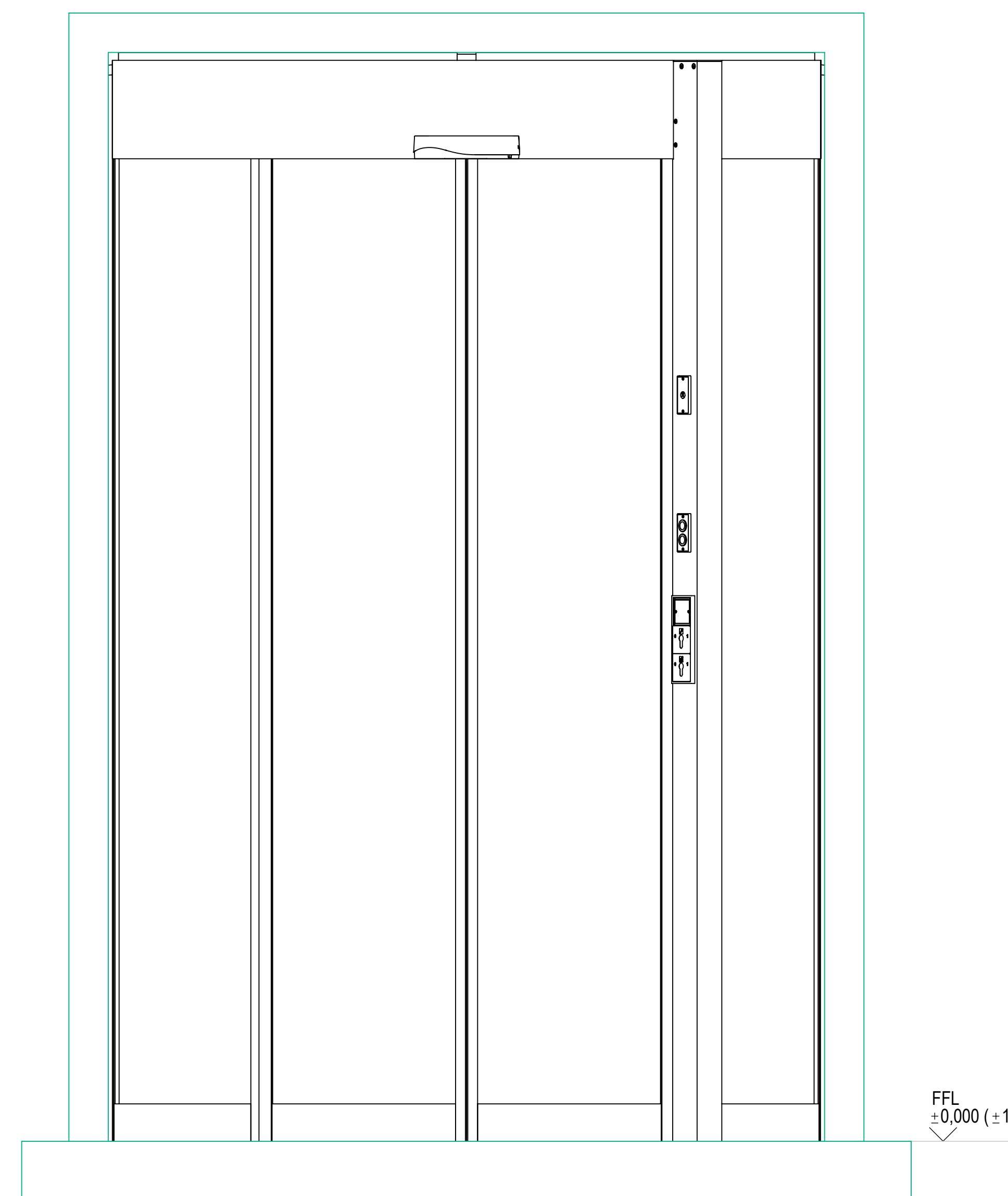
- Signal lights
- Flash light
- Maintenance mode
- Clean mode
- BMS-outputs
- Voice module

Security level/functions	Low	Middle	High	Superior
Identity check	✓	✓	✓	✓
Anti-Tailgating(contact mat)	✓	✓	✗	✓
Anti-Piggybacking(TOF-3D sensor)	✗	✗	✓	✓
Tailgating & Piggybacking(contact mat+TOF-3D sensor)	✗	✗	✗	✓

Front view from Outside | Public side

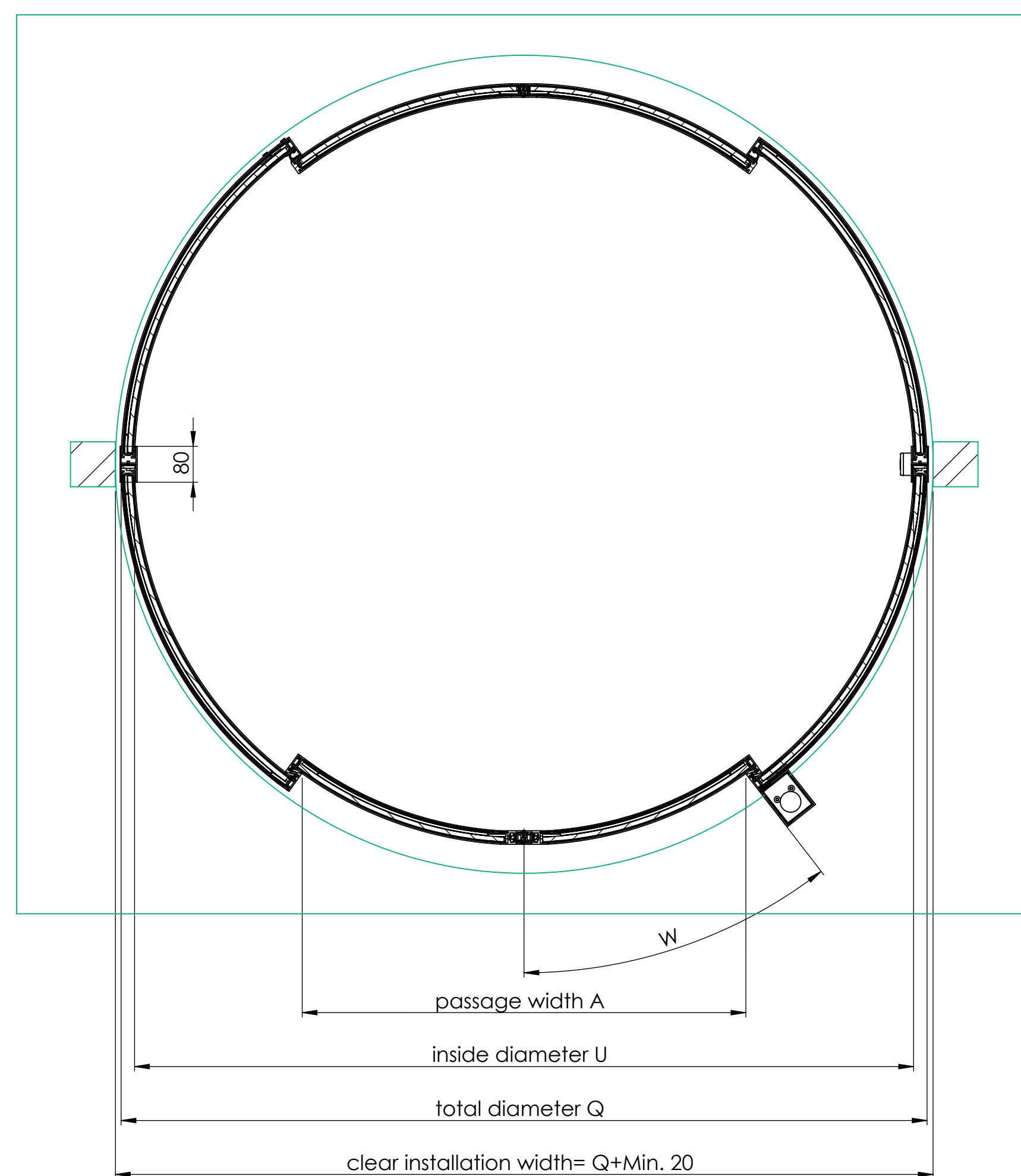


Front view from Inside | Secure side



A-A

Inside | Secure side



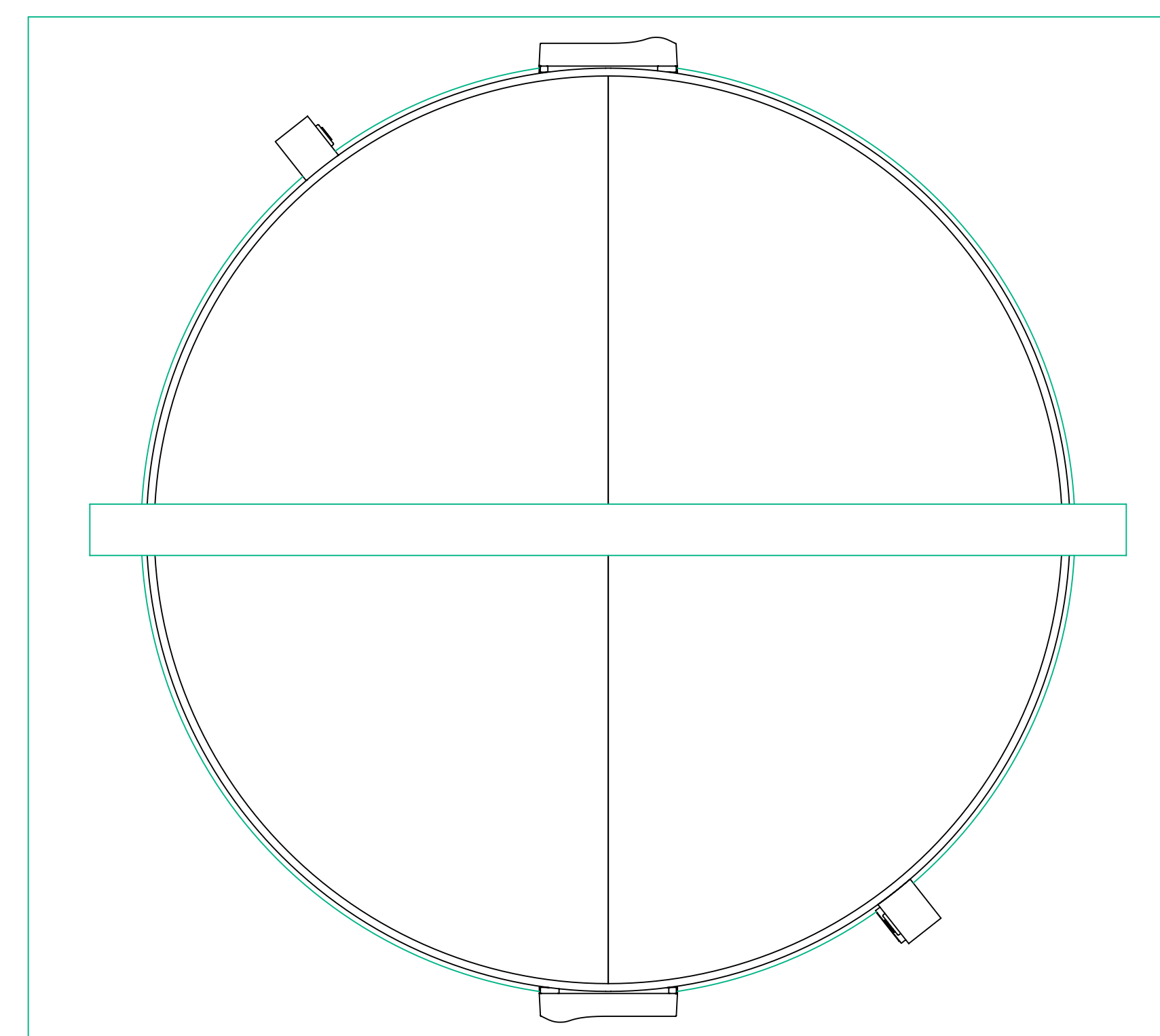
Outside | Public side

Q	20mm profile system (W=43,5°)		30mm profile system (W=43,5°)	
	A	U	A	U
1600	1015	1554	987	1534
1700	1083	1654	1056	1634
1800	1152	1754	1125	1734
1900	1221	1854	1194	1834
2000	1290	1954	1262	1934
2100	1359	2054	1331	2034
2200	1428	2154	1400	2134
2300	1496	2254	1469	2234
2400	1565	2354	1538	2334
2500	1634	2454	1607	2434

Passage width A for RC2/RC3 is slightly lower (30-40 mm)

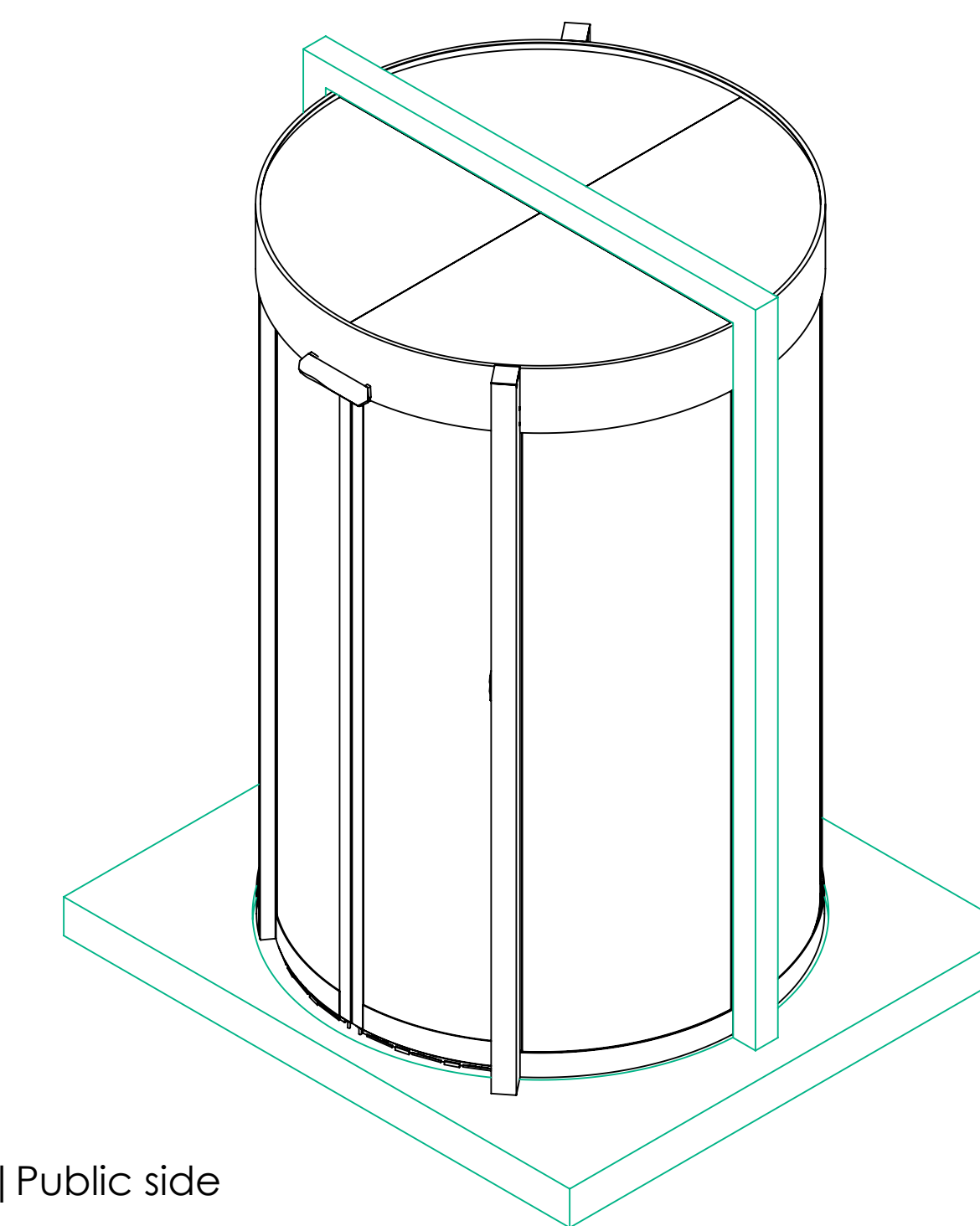
Max. Opening angle with outer Ø1600 - 1999mm = 41,7°  
Max. Opening angle for outer Ø2000 - 2599mm = 42,4°

Top view



Inside | Secure side

Inside | Secure side

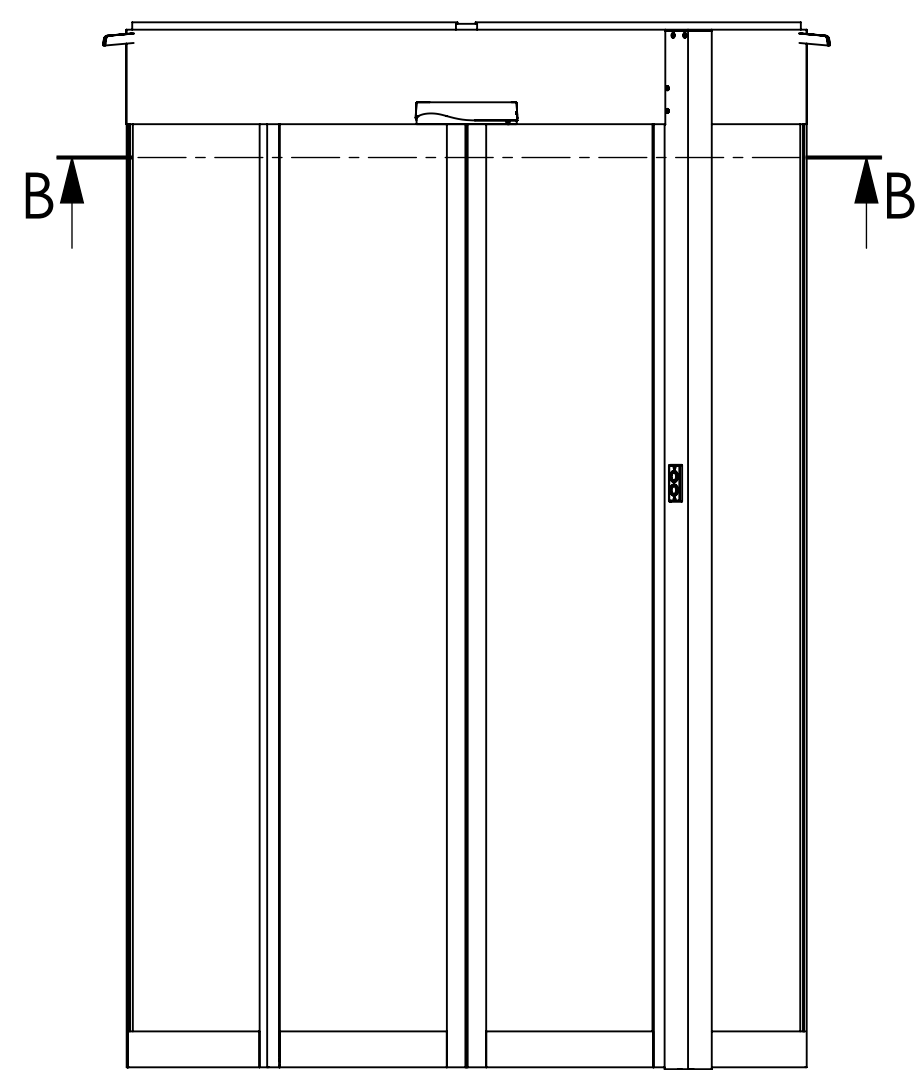


Outside | Public side

1:20

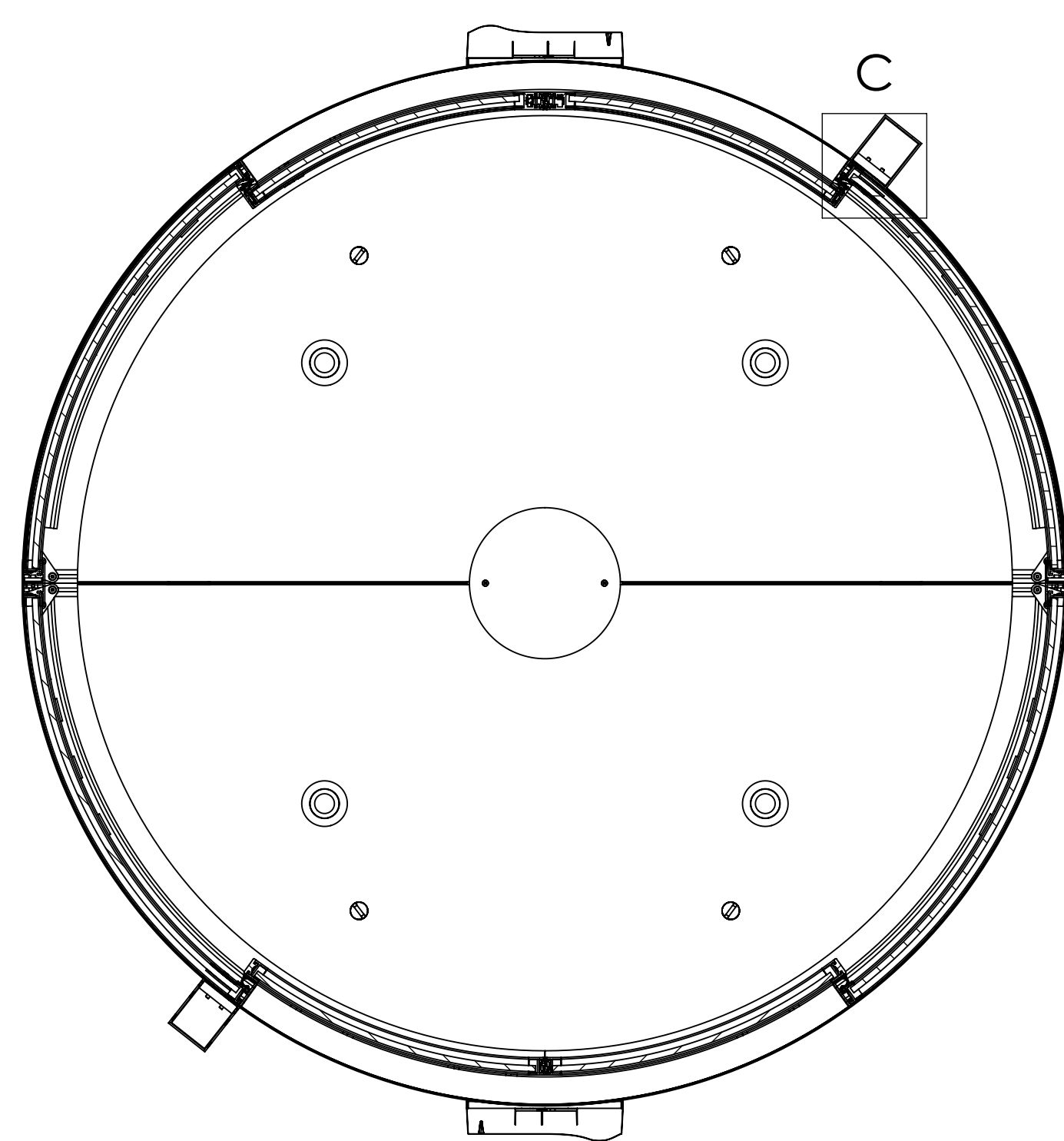
		Scale:	1:10	Confirmation No.:	
		Type:	R65		
B L A S I G m b H Carl-Benz-Strasse 5-15 D - 77972, Malsbühl		Tel.:	+497822 / 893 - 0		
		Fax.:	+497822 / 893 - 169		
Project:		Contractor:		Page:	01
Checked:		Approved:	YSH	Date:	14.06.2022
All components marked in green are to be carried out by the customer.					
This drawing is the property of the company BLASIG GmbH. It is not allowed to be duplicated or to be restricted to a third party. Technical modifications are under reserve.					

Front view from Outside | Public side  
1:20



B-B  
Middle / Low

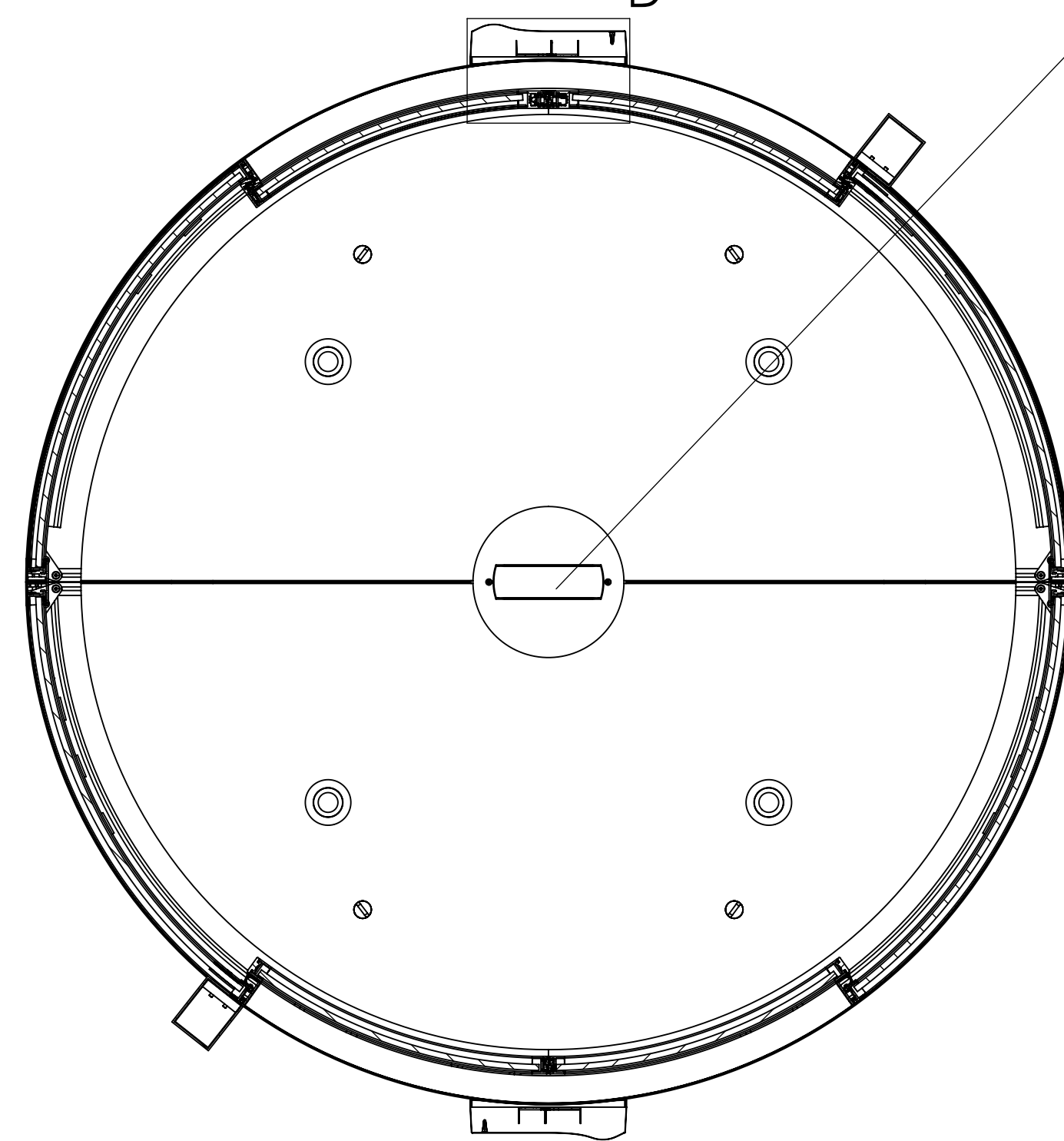
Outside | Public side



Inside | Secure side

B-B  
Superior / High

Outside | Public side

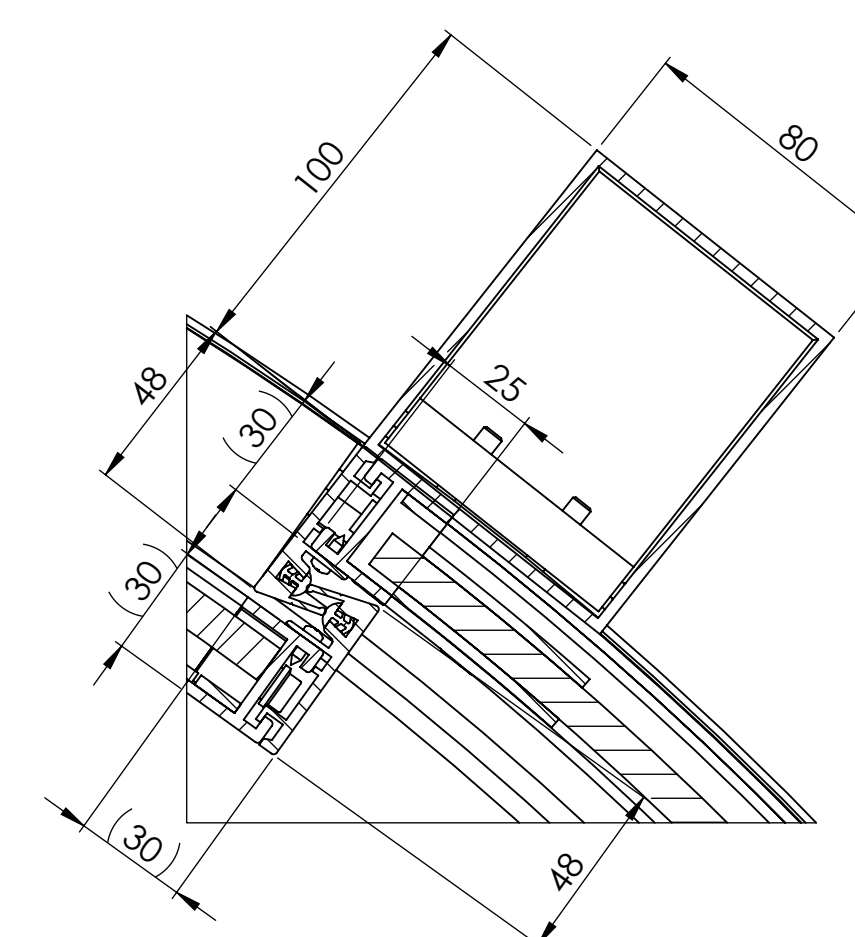


Inside | Secure side

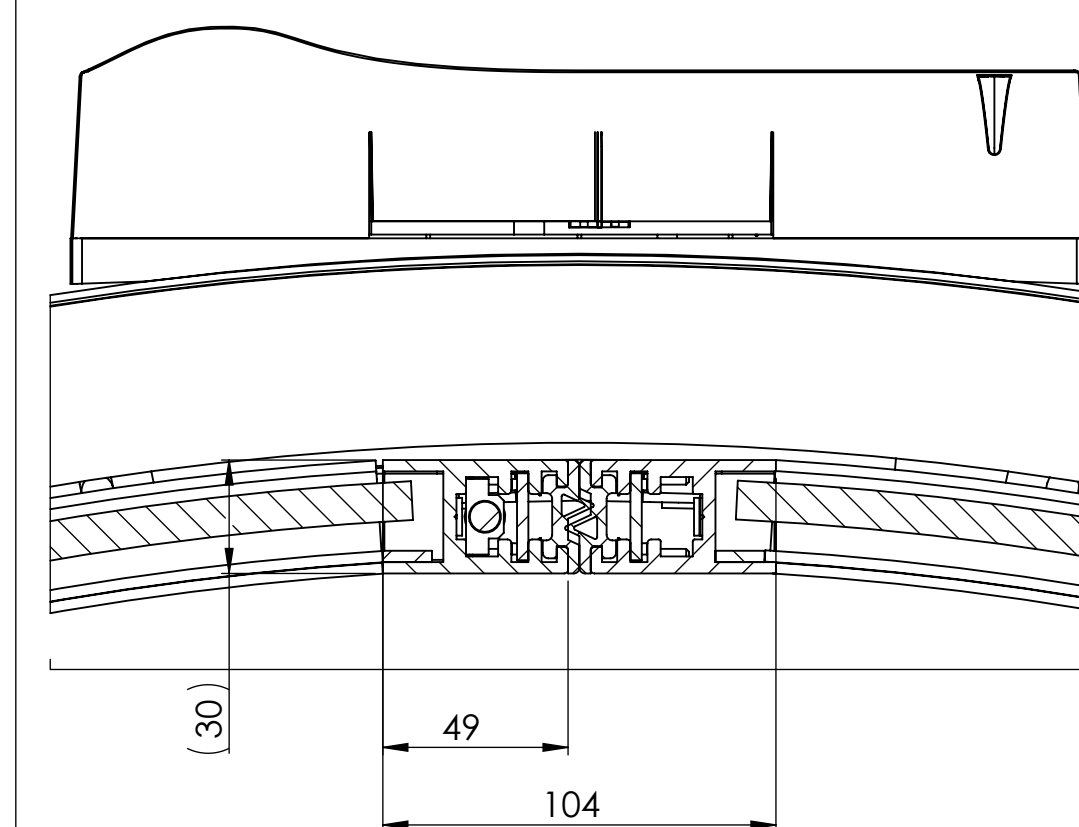
3D sensor for monitoring the number of people  
- Monitoring of anti-tailgating and anti-piggybacking

Main+Secondary closing edge

30 [mm] profile system

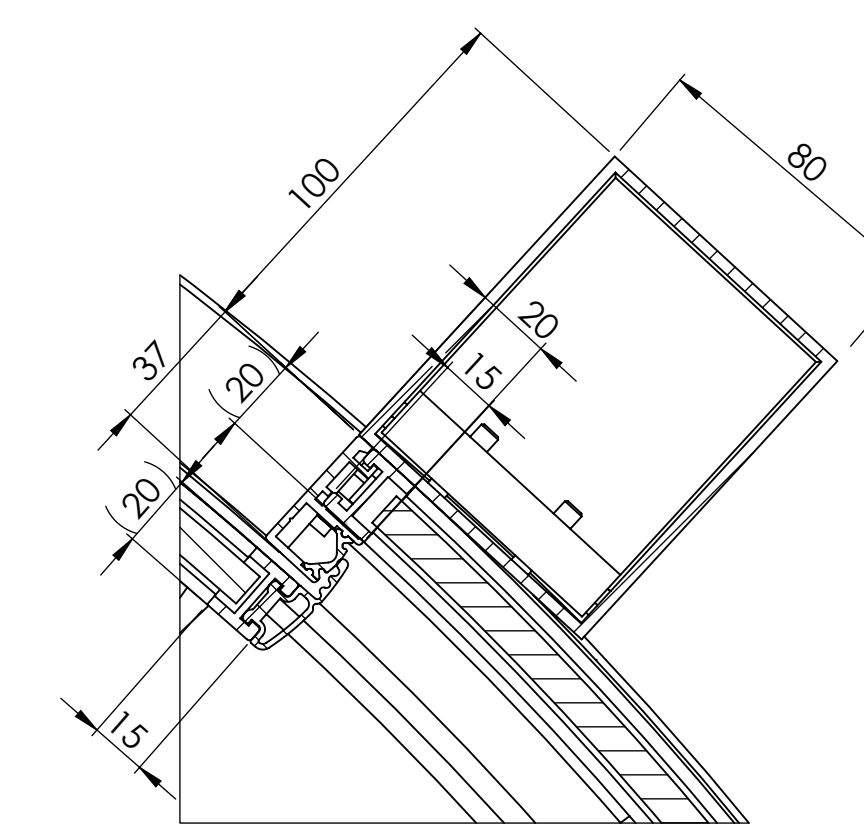


C  
1:2

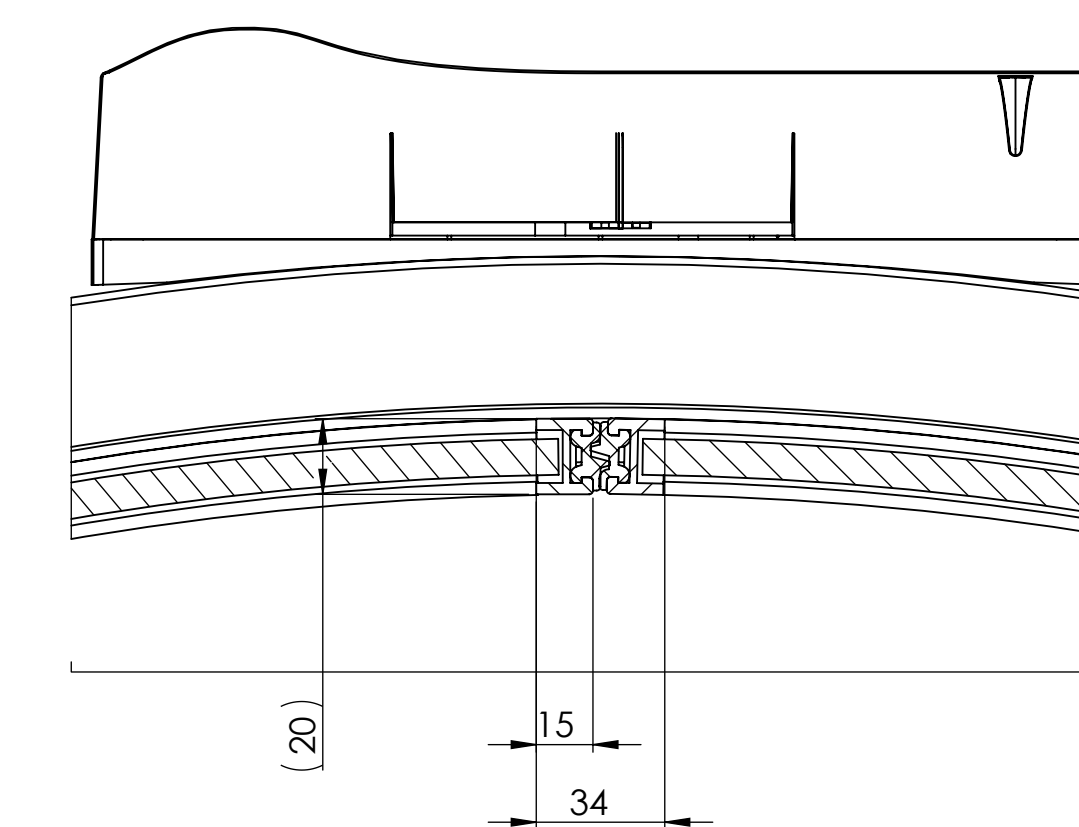


D  
1:2

20 [mm] profile system



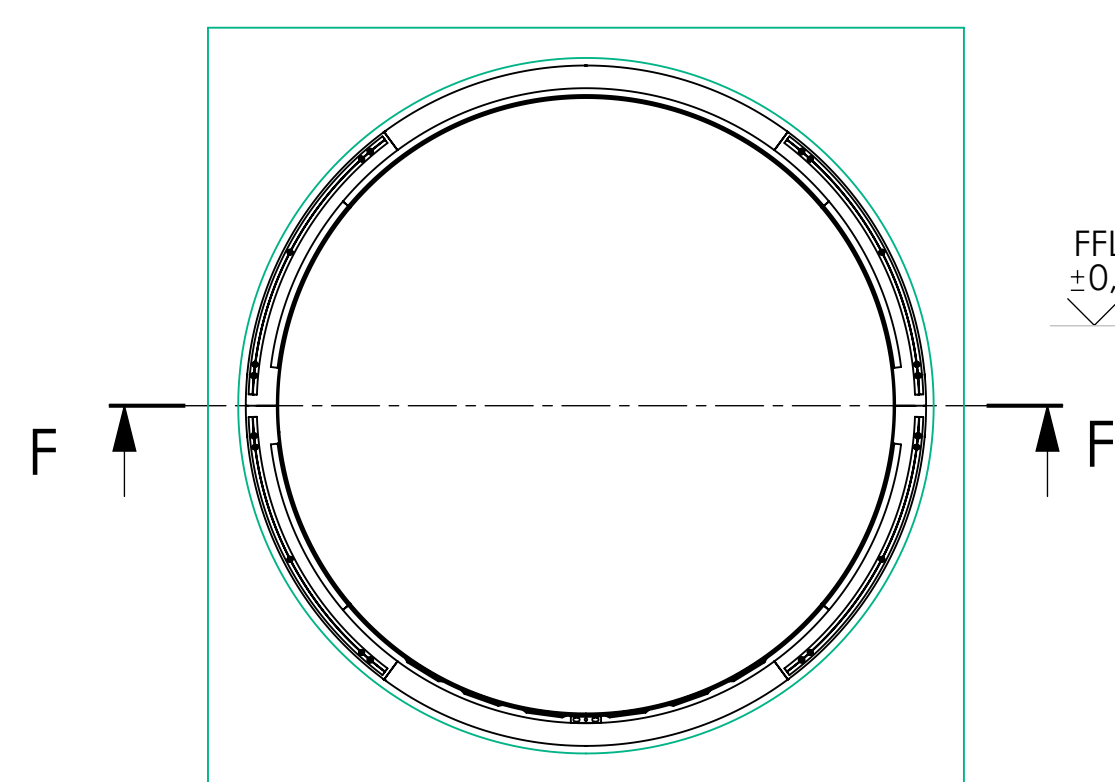
C  
1:2



D  
1:2

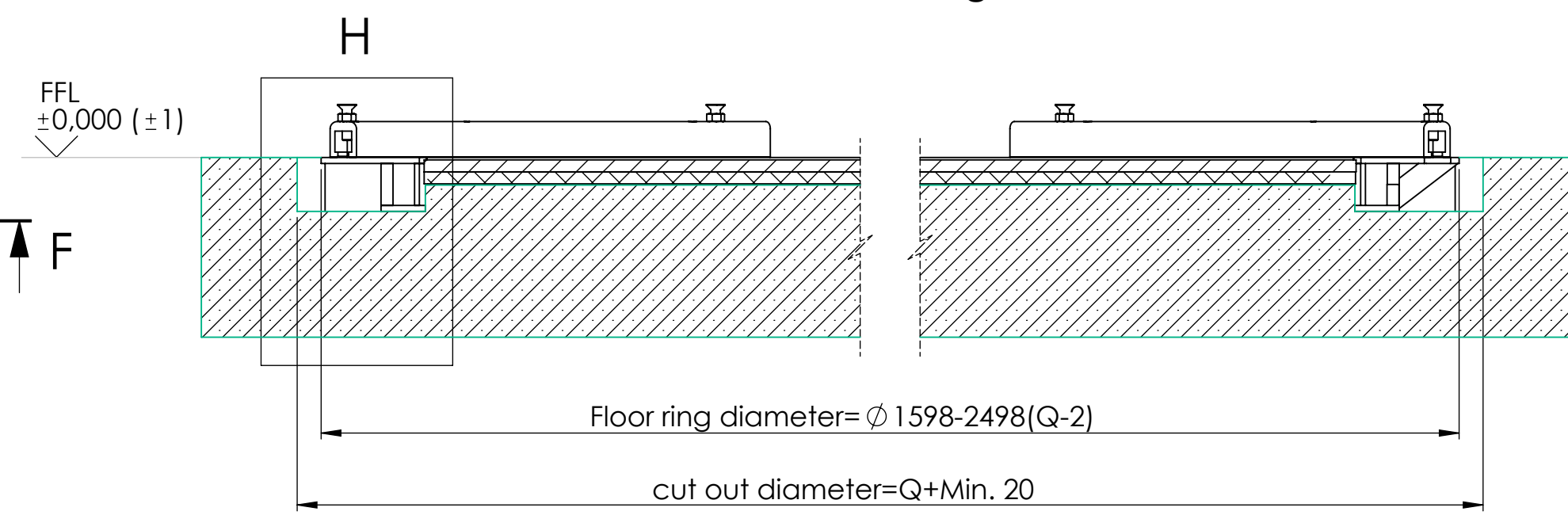
Floor guide

Top view Floor ring  
Need for Middle/Superior (Contact mat)



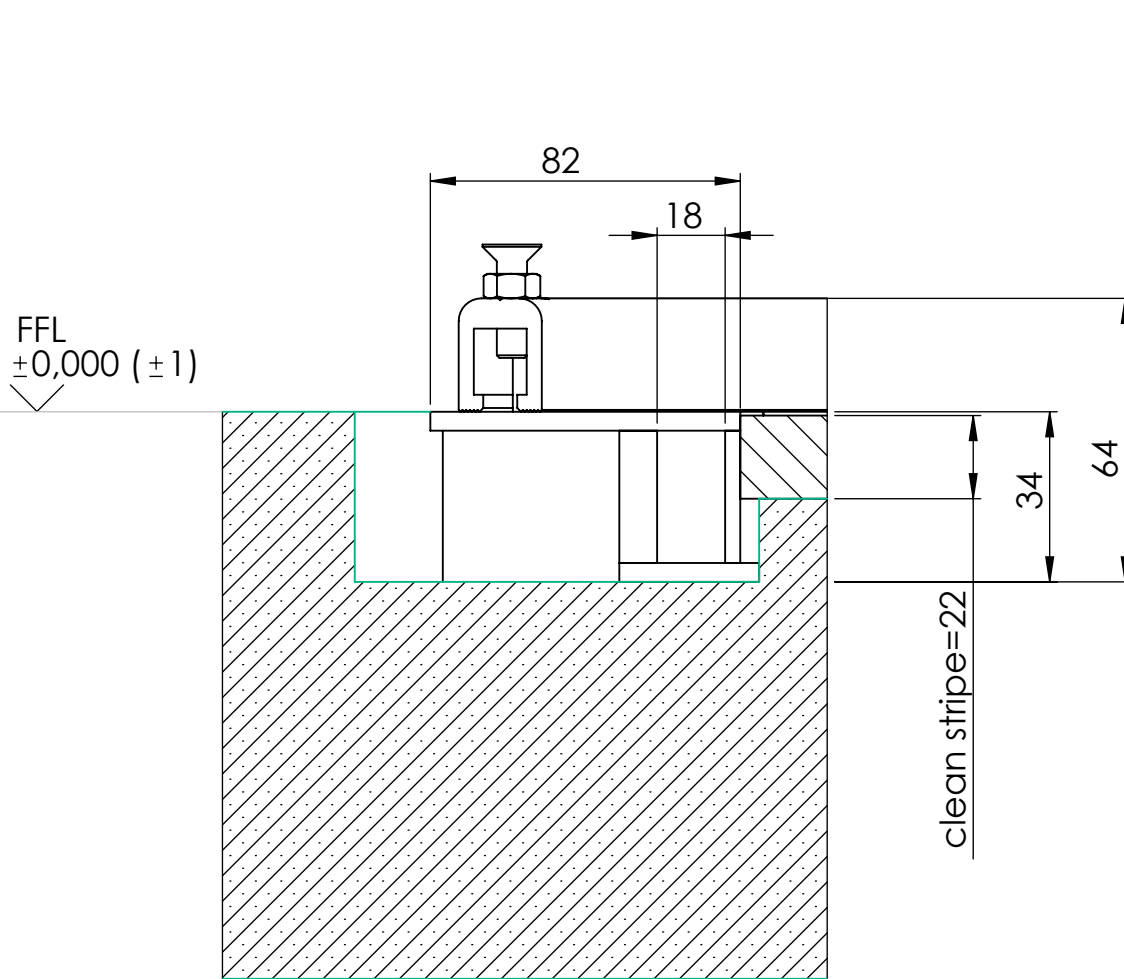
30 [mm] profile system

Floor ring

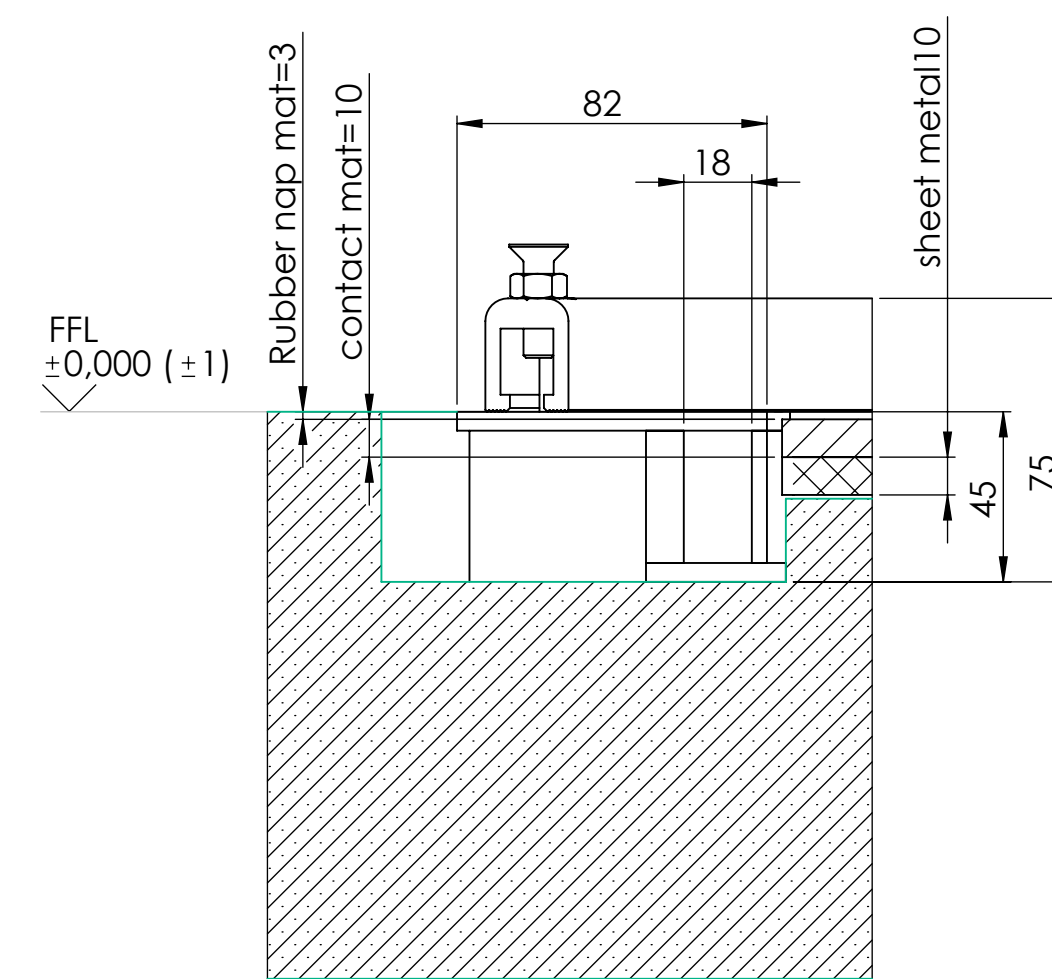


F-F  
1:5

Floor ring diameter=∅ 1598-2498(Q-2)  
cut out diameter=Q+Min. 20



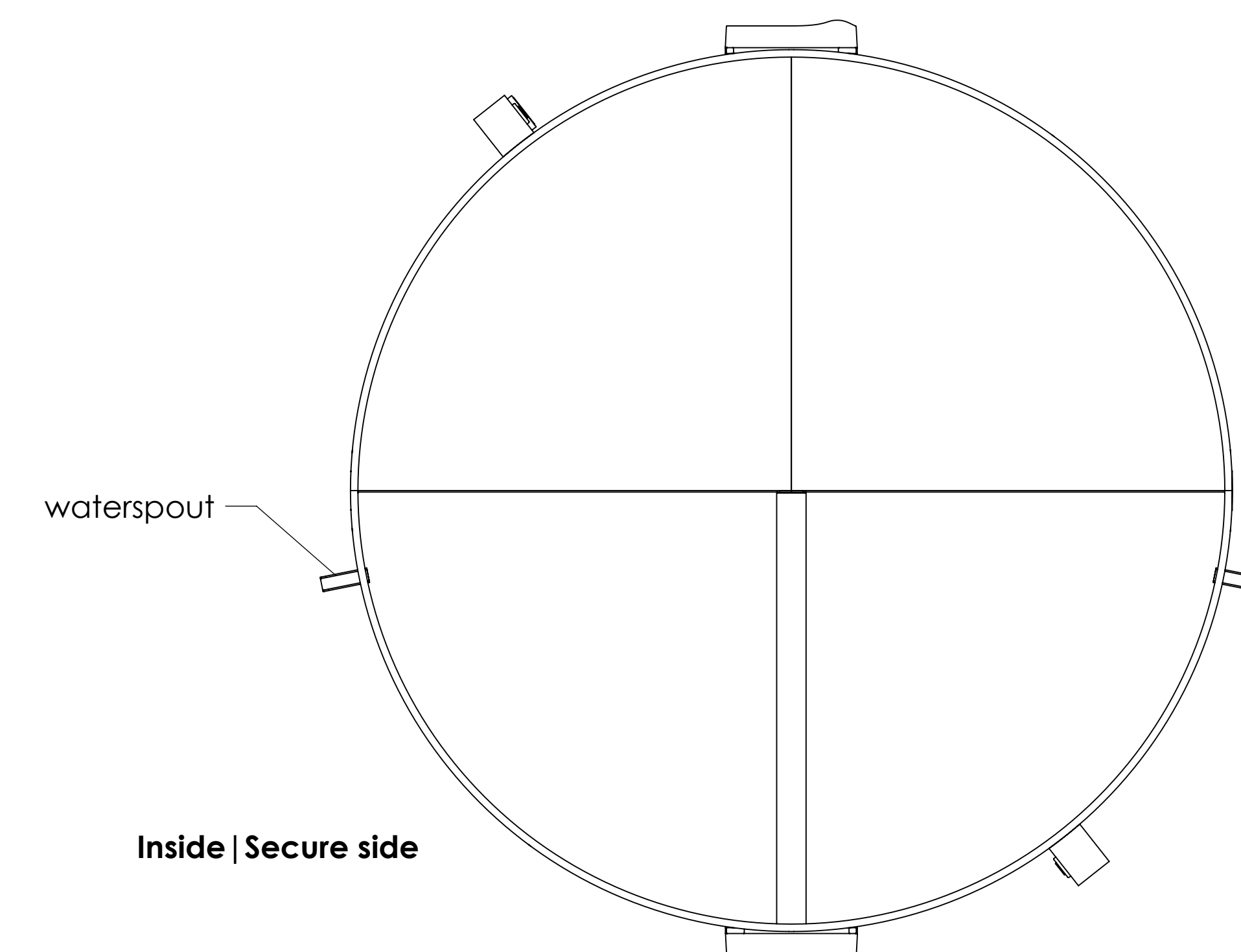
H  
1:2



H  
1:2

Water roof

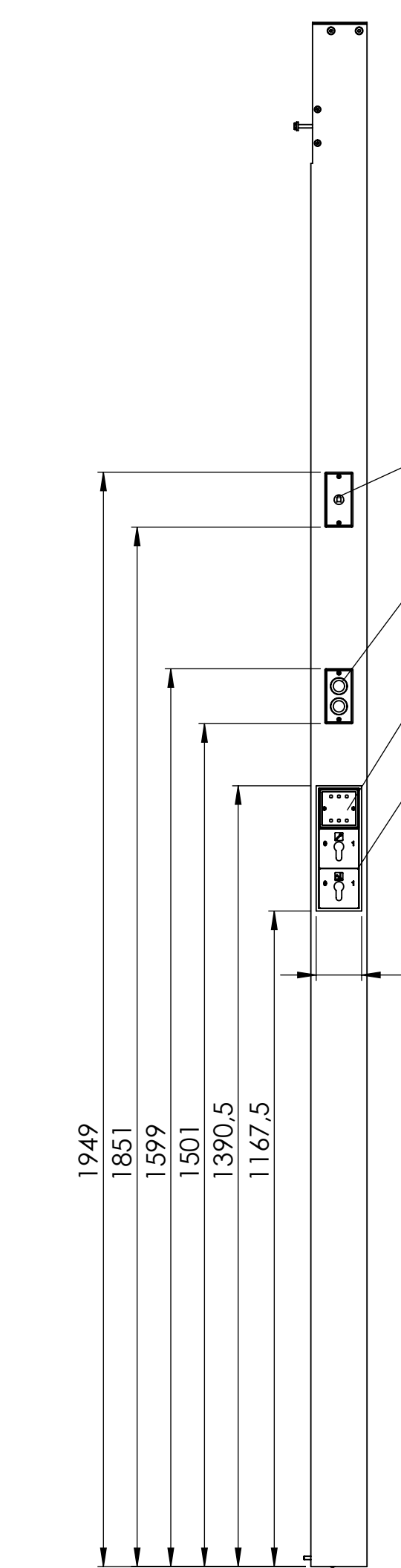
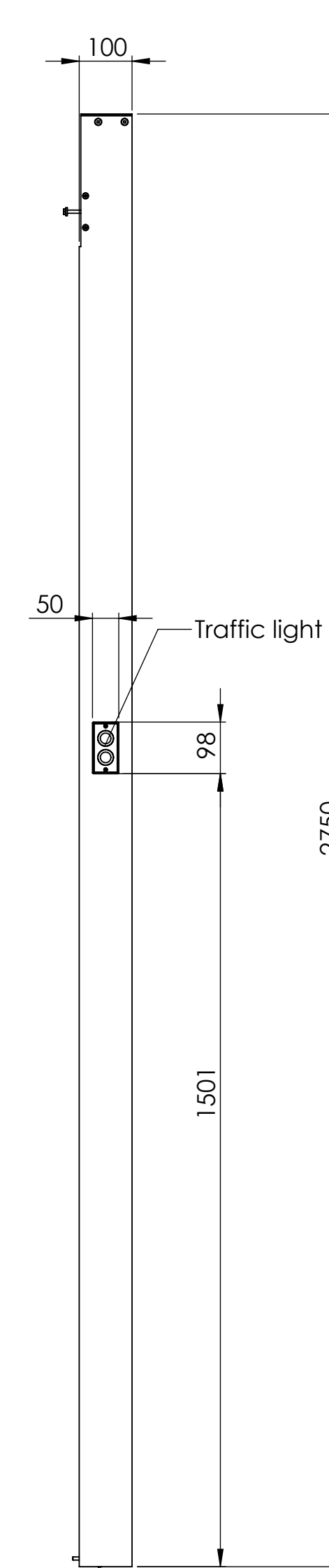
Inside | Secure side



Outside | Public side

outside | Public side

Inside | Secure side

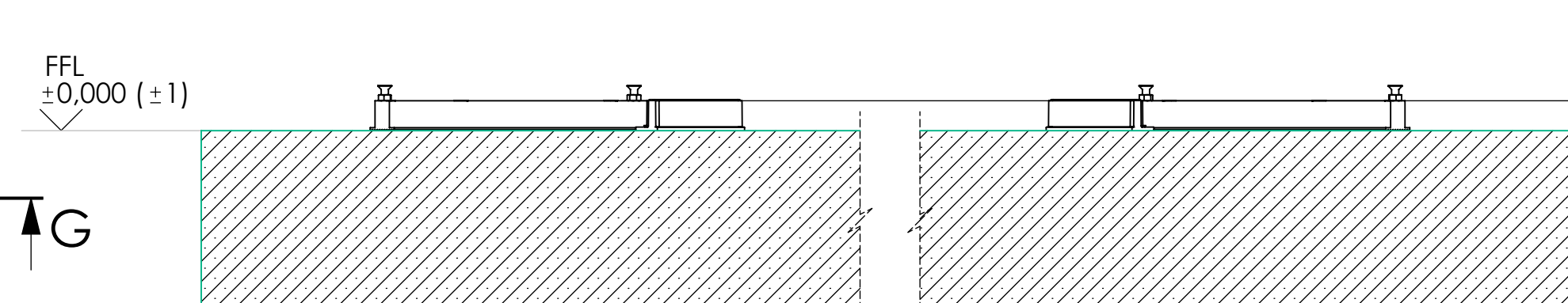
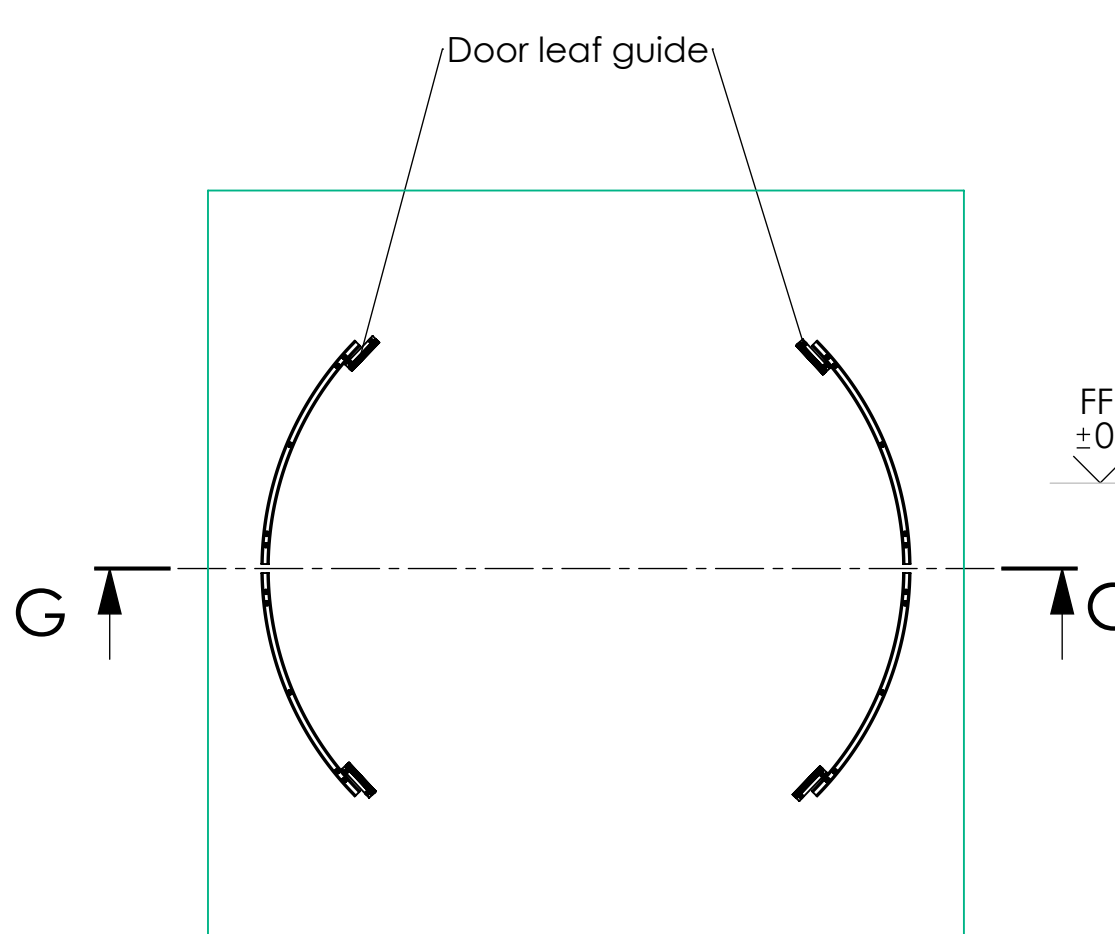


Service part  
Traffic light  
Control panel BDE-D CSP  
Option:  
-Maintenance  
-Cleaning  
-BDE-V

external access control can be integrated  
-Traffic light display (red/green) for display of the operating status on both sides  
-A key switch enables cleaning of the portal from the secure access side. At the same time, it ensures that the door remains closed to the public side  
In cleaning mode, the access side is opened and at the same time it is ensured that the opposite door is closed  
-A key switch enables maintenance work to be carried out. The door to the secure side is opened permanently and the door to the nonsecure side remains closed  
In maintenance mode, only one door can be opened at a time

Top view finished floor

20 [mm] profile system



G-G  
1:5