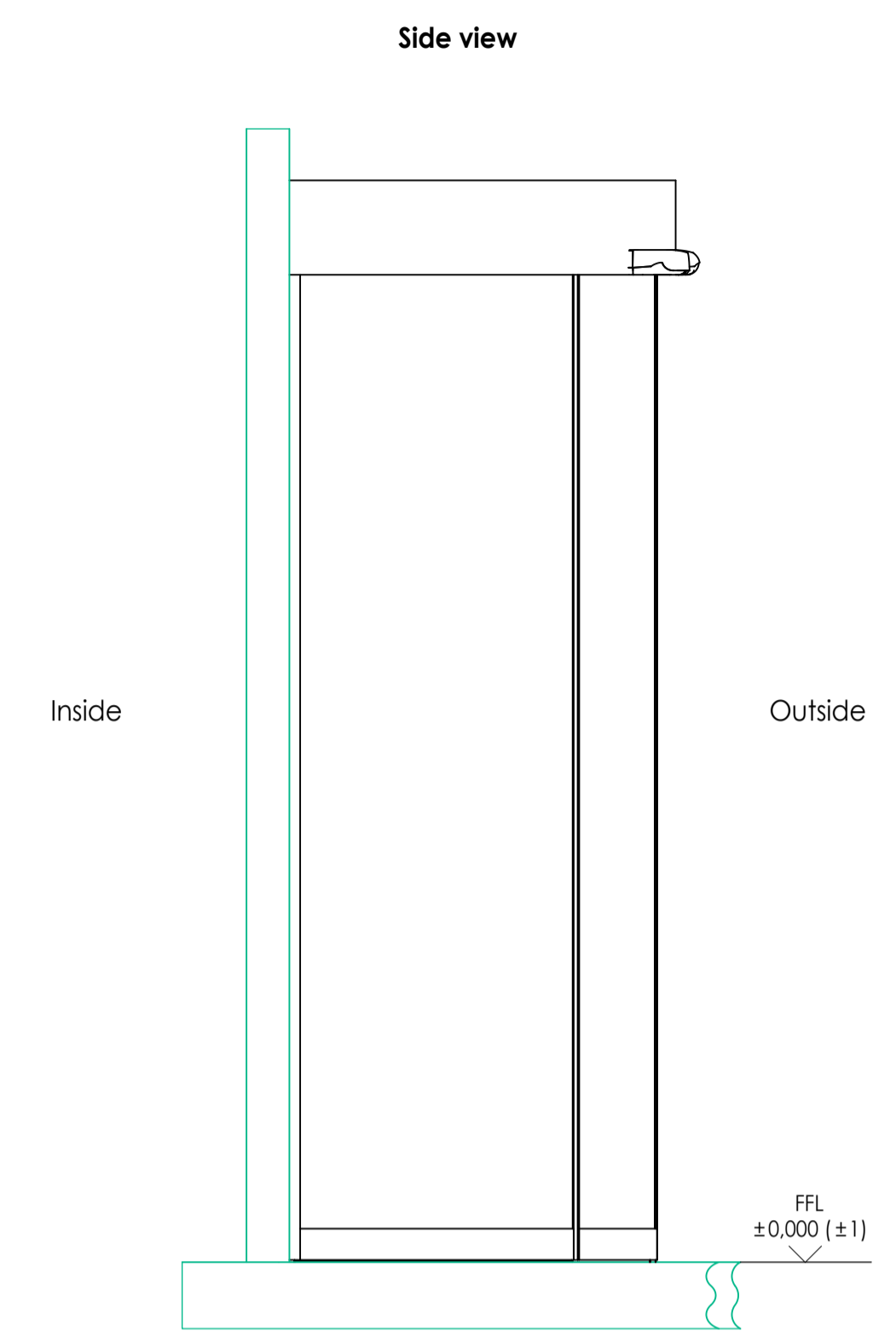
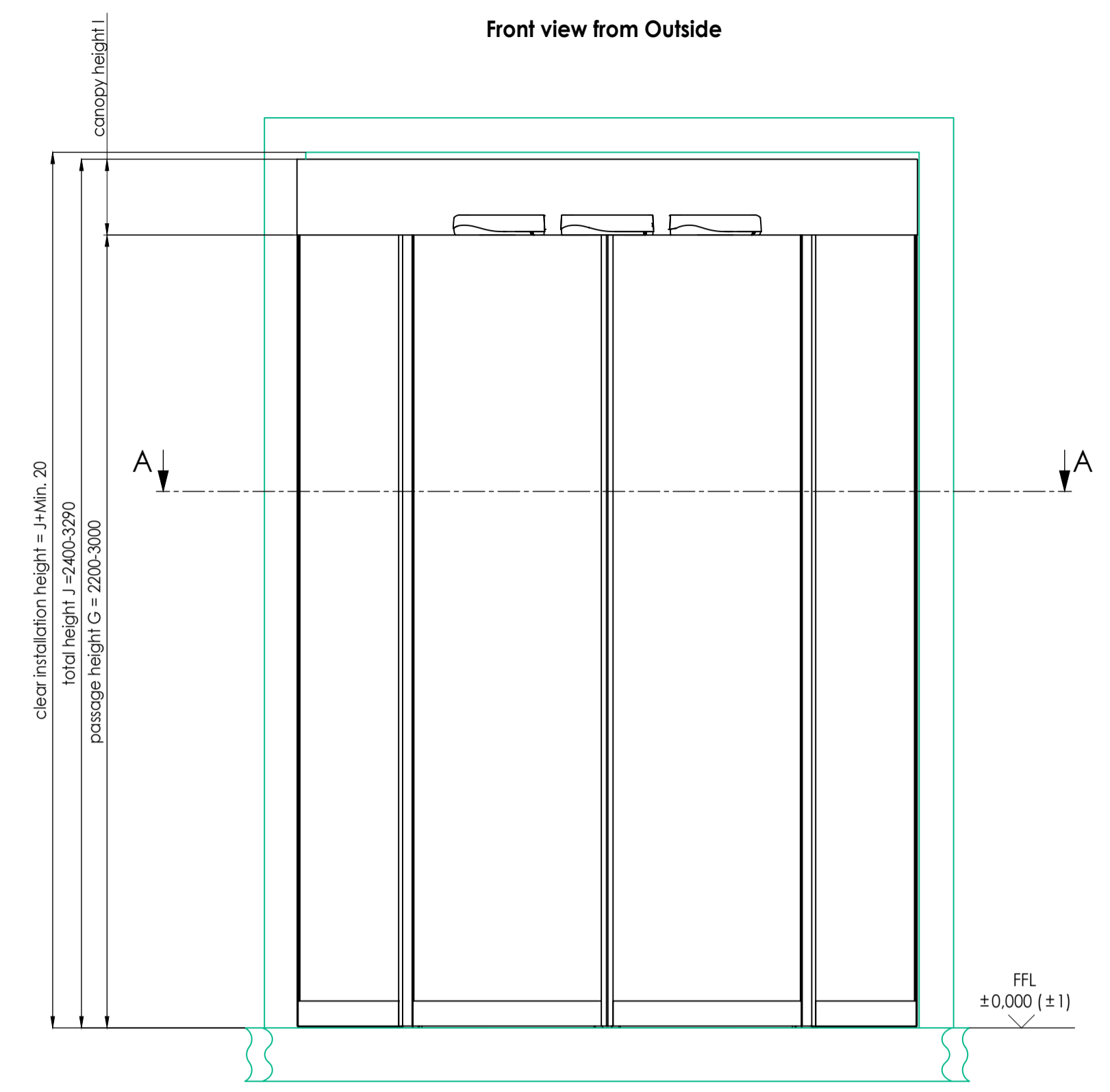
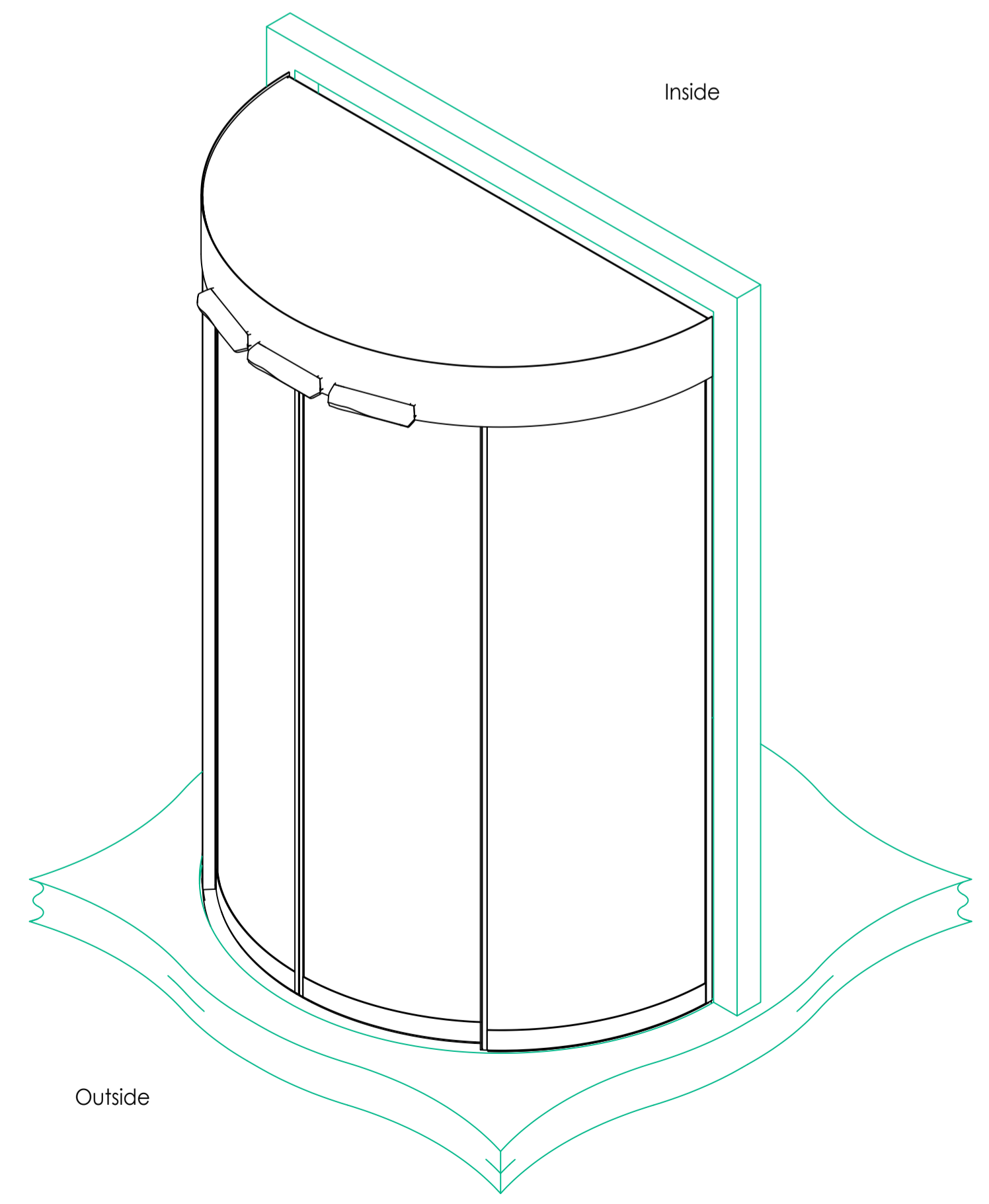
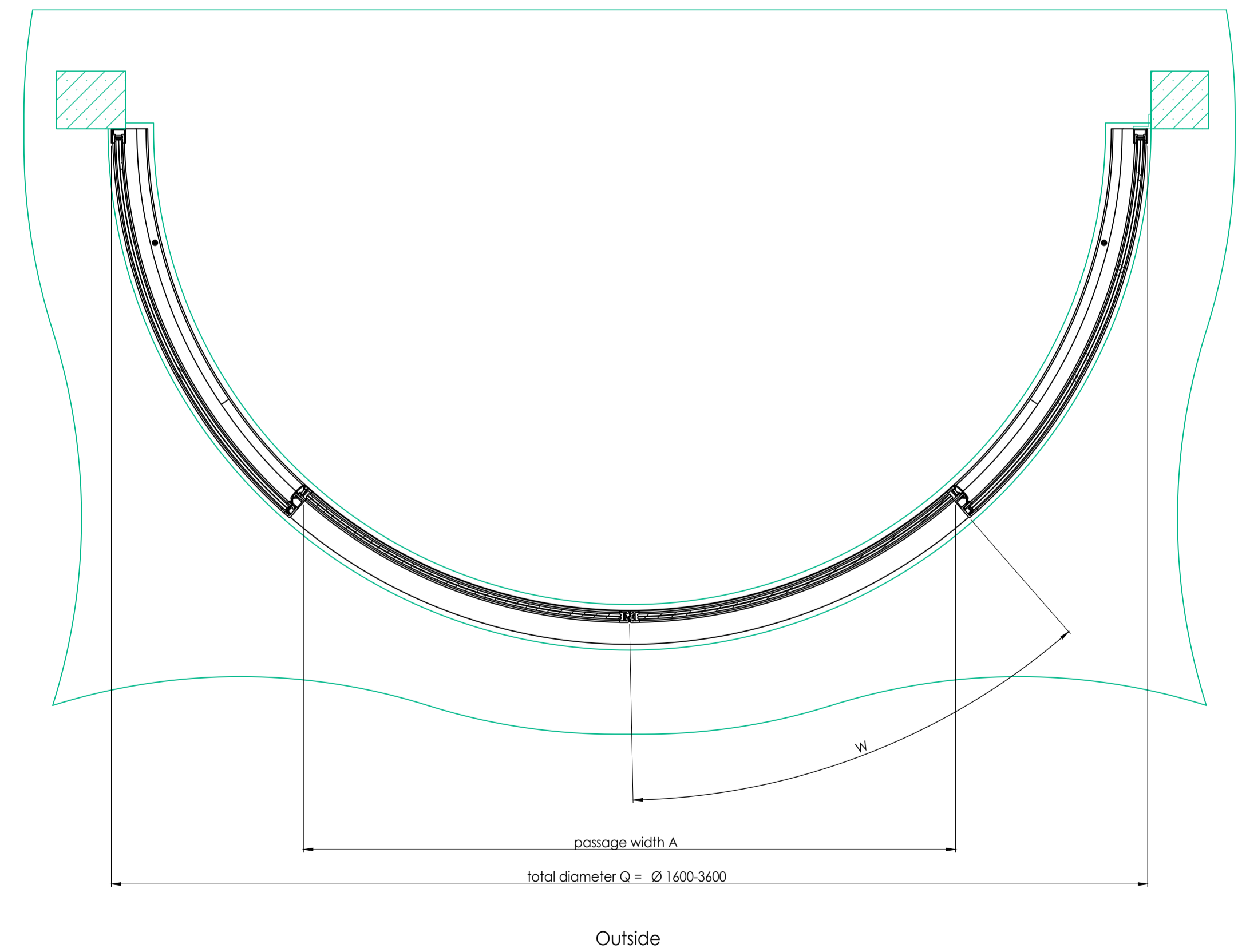


No.	Change	CM No.	Date
A		NSA	2022-11-11



A-A
(1 : 5)
Inside



Automatic Curved sliding door system Curved 180°

Design:
Fully automatic double-leaf semi-circular sliding door with self-learning 32 bit door control system, low-noise, long-life door leaf guides, start impulse via motion detector; sensor protection incl. overcurrent detection; service port connection via bluetooth

Dimensions:
Total diameter Q: 1600-3600 [mm]
Passage width A: approx. 1000-2400 [mm] (see table below)
Canopy height L: 200 / 220 / 250 / 290 [mm] standard dimensions
291-1000 [mm] upon request
Passage height G: 2200-3000 [mm]
Total height J: 2400-3290 [mm] standard dimensions
Customized dimensions upon request
Profile system ALU 20 [mm]

Glass:
Profile system 20 [mm] - 9,52 [mm] max. glass thickness

- Glass types:
- Laminated safety glass
 - Insulated glass
 - P4A

BDE-D flush mount as standard

Options:

Purposes:

- Standard
- Escape and rescue route

Surface options:

- Raw/untreated Aluminium
- Aluminium powder coating
- Anodized Aluminium
- Cladding (stainless steel/brass/bronze/etc.)

Floor Guide:

- Finished floor
- Floor guide rail
- Floor ring

Mechanical options:

- Air curtain (dependent on other option)
- Locking device
- Roof options:
 - White coated chipboard
 - Dust roof cover
 - Water-tight tray roof
- Facade connection

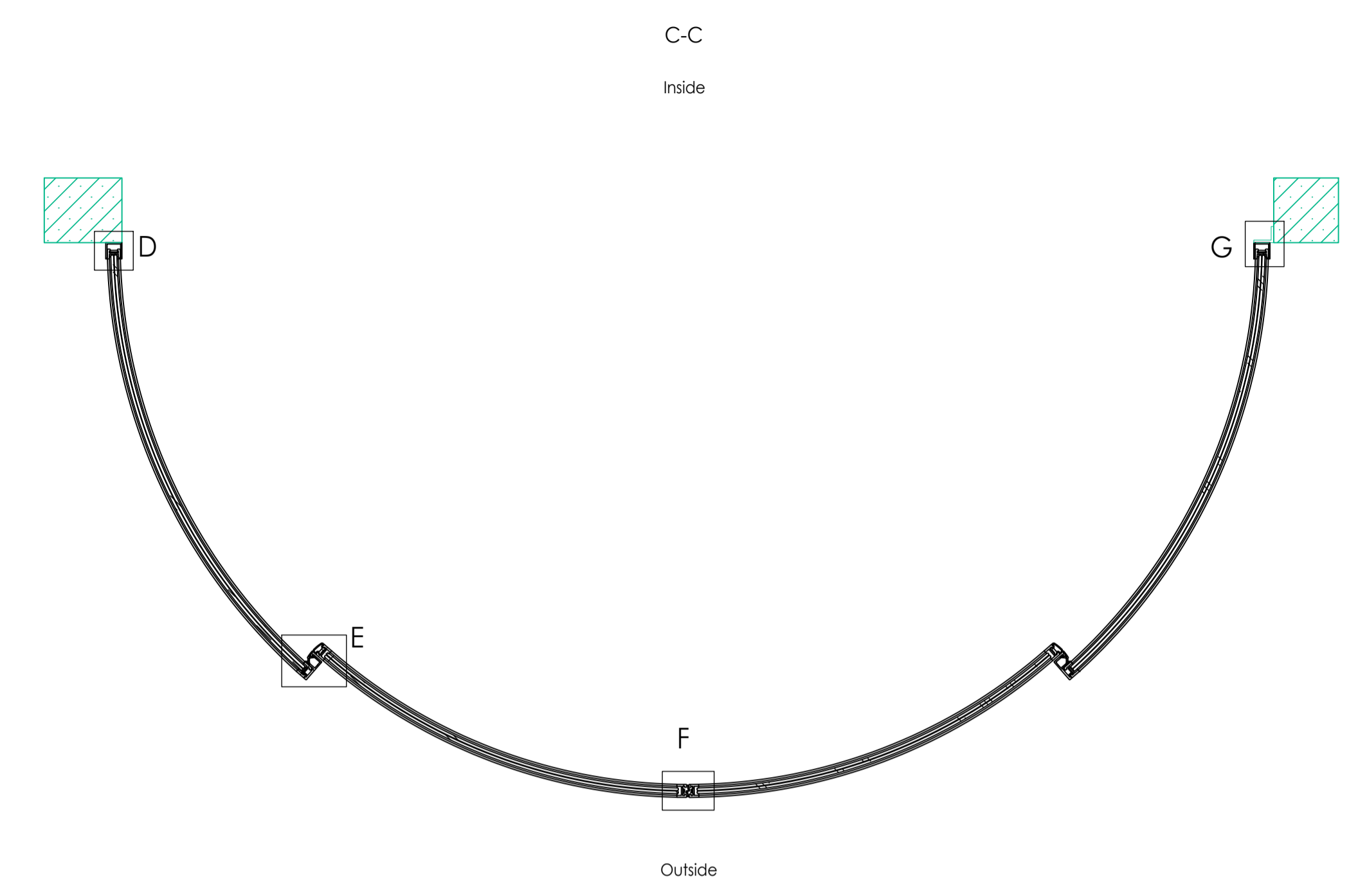
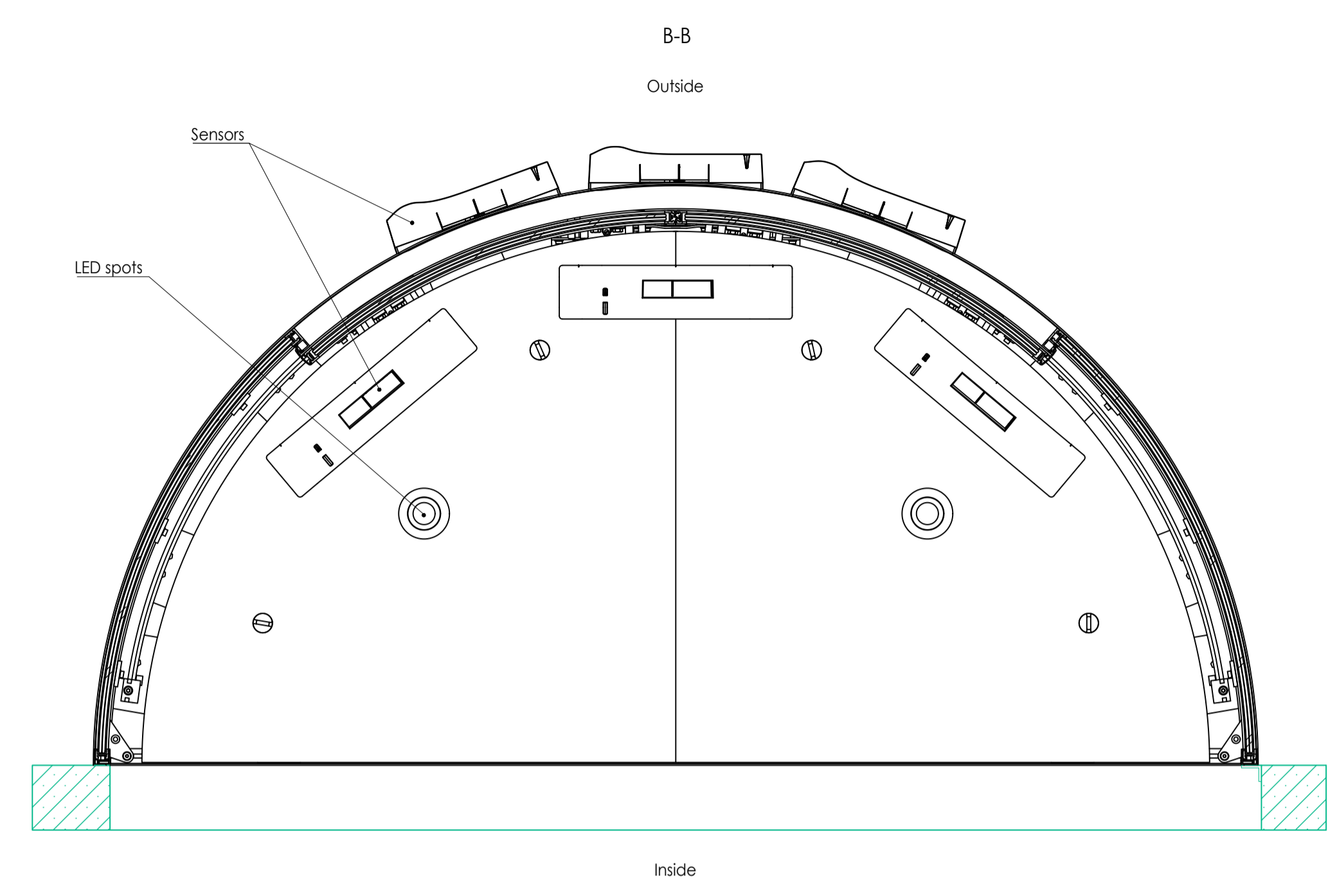
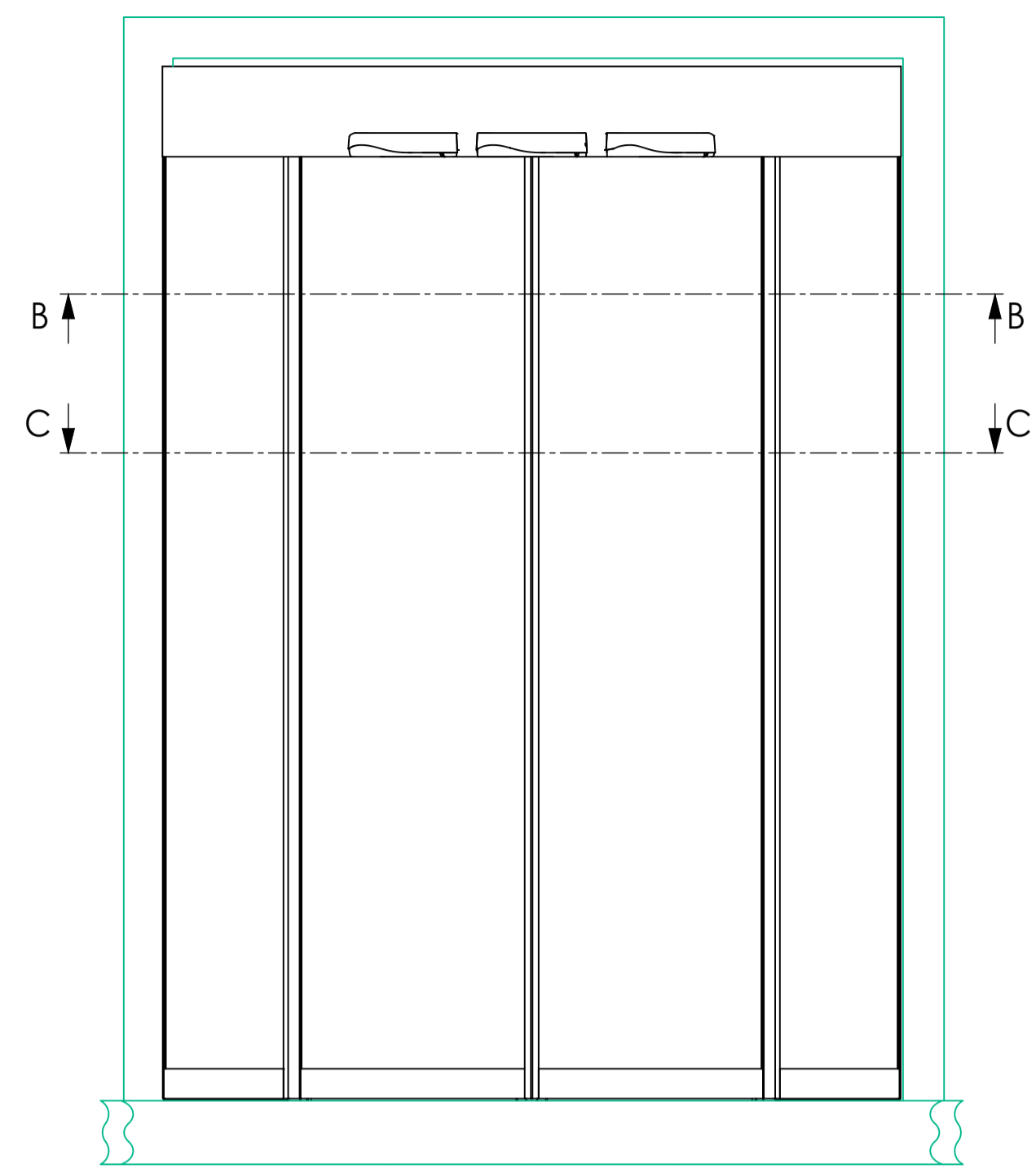
Electrical options:

- Input for fire alarm
- Door position contact "closed"
- Lock monitoring contact
- Uninterrupted power supply
- LED build-in Lights
- Emergency stop switch
- Emergency opening switch
- Battery pack
- Control unit BDE-D surface mount (flush mount as standard)
- Key operating switch BDE-V

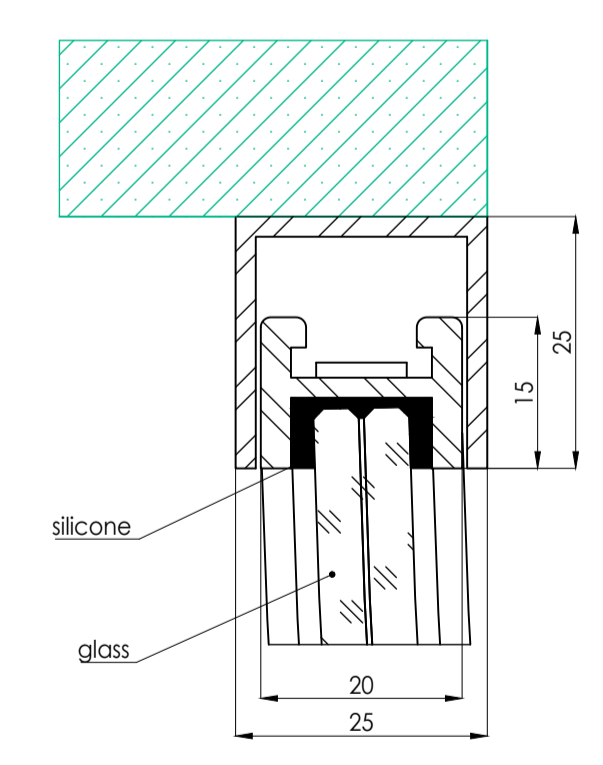
Q (exemplary dimensions)	Passage width A at max. opening angle (W=43,5°)
1600	1015
1700	1083
1800	1152
1900	1221
2000	1290
2100	1359
2200	1428
2300	1496
2400	1565
2500	1634
2600	1703
2700	1772
2800	1841
2900	1909
3000	1978
3100	2047
3200	2116
3300	2185
3400	2254
3500	2323
3600	2391

© All rights reserved. This material is the property of ASSA ABLOY Entrance Systems AB. Copying, scanning, distribution or modification in any form without consent of ASSA ABLOY Entrance Systems AB.

Surface treatment	Material	Remark
General tolerance	Fig. method	Scale
ISO 2768	SSC	1:10
Drawn	Date	Status
SSC	2022-11-11	Approved
Description	Rev.	Size
Curved 180° - ALU 20 [mm]	A	A0
Sheet	1 (3)	
Drawing No.		

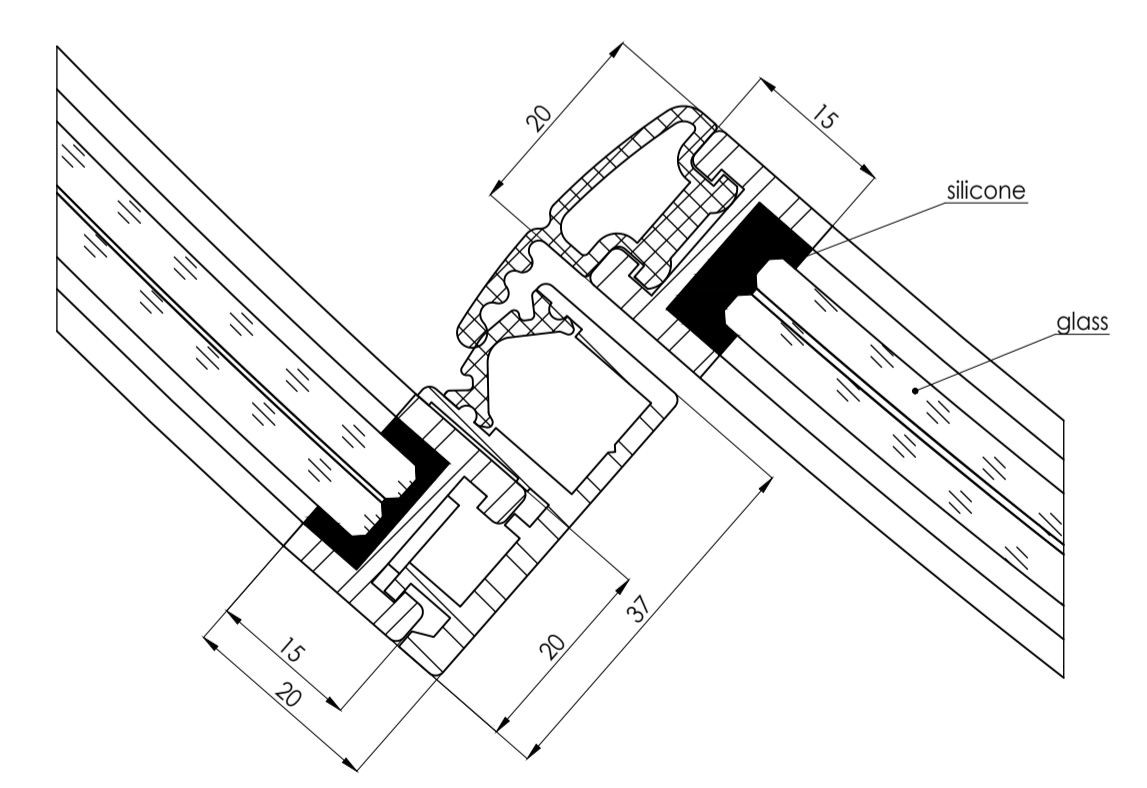


Main + Secondary closing edge

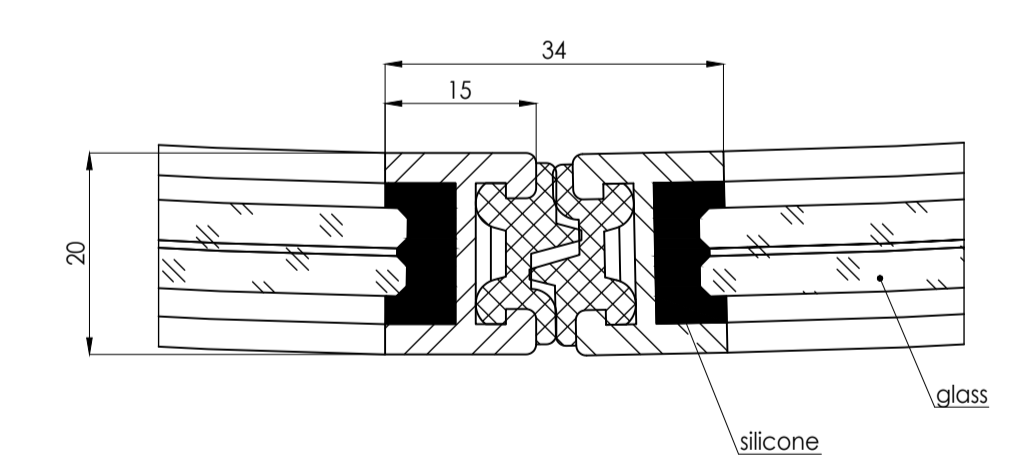


D
(2 : 1)

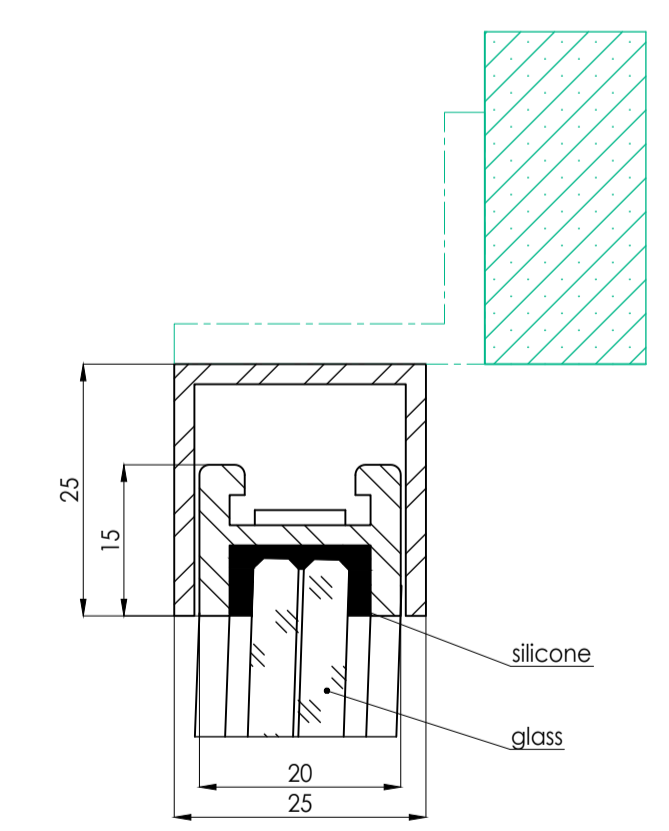
(Facade connection to be defined by customer)



E
(2 : 1)



F
(2 : 1)



G
(2 : 1)

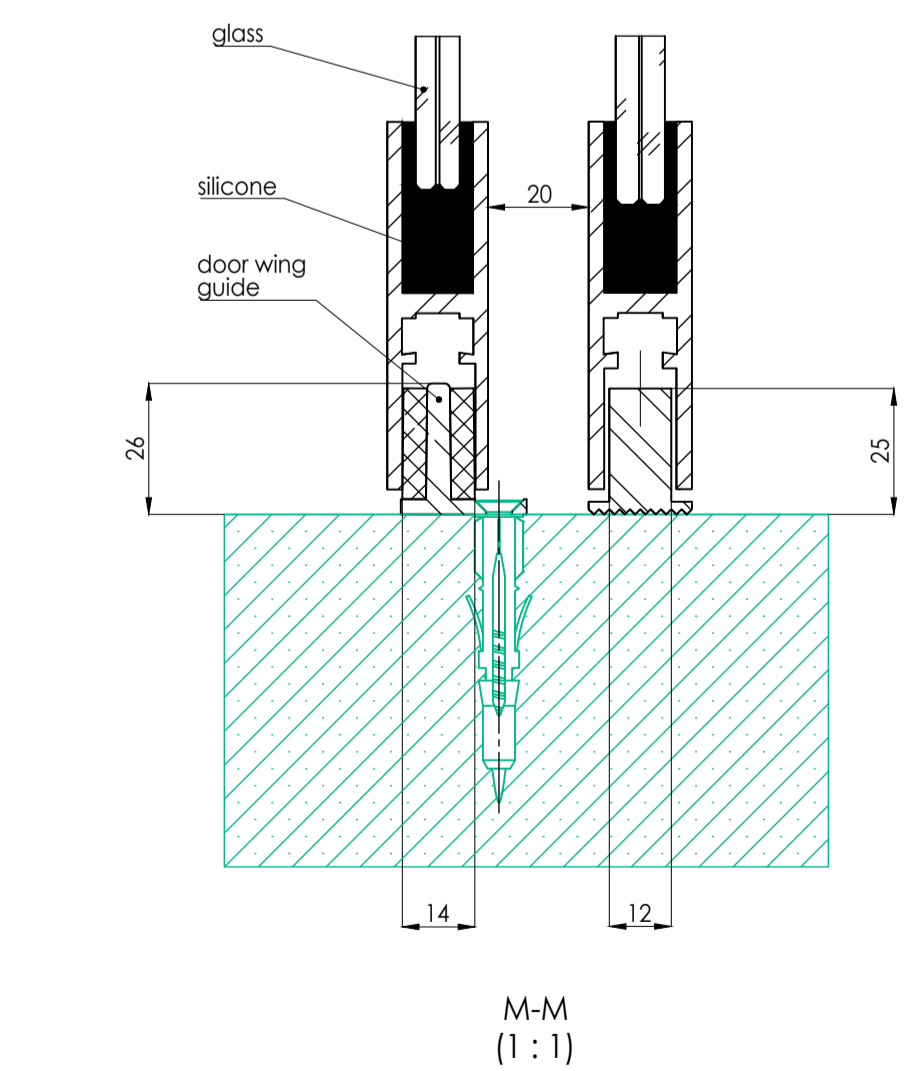
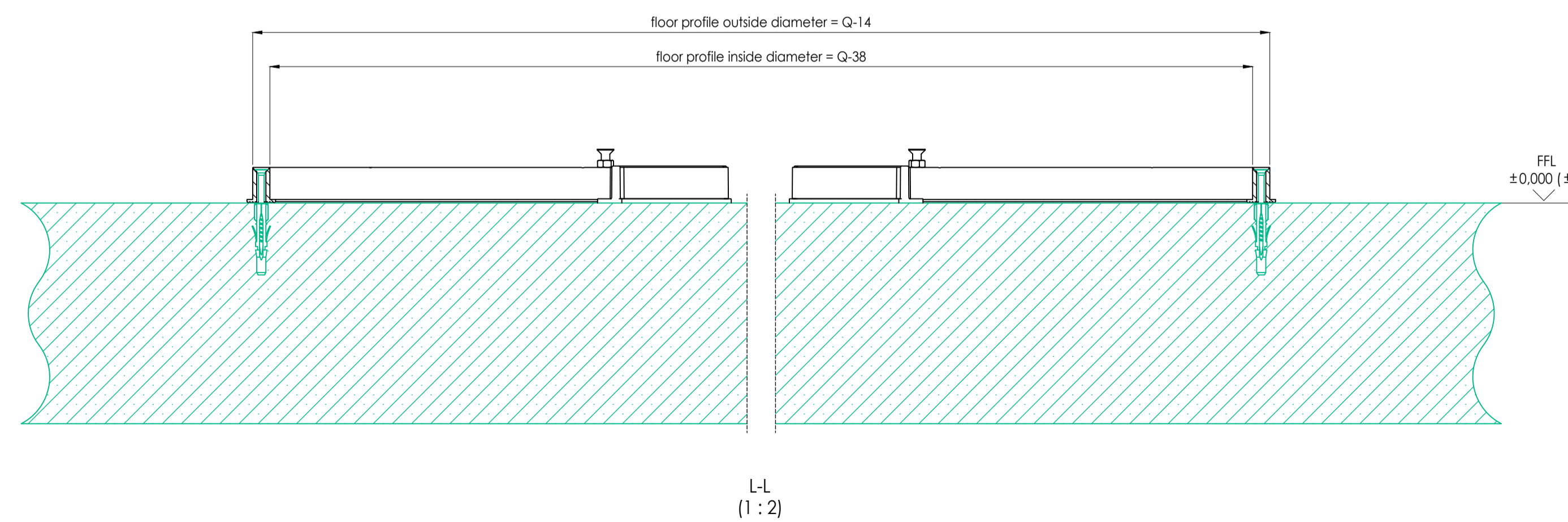
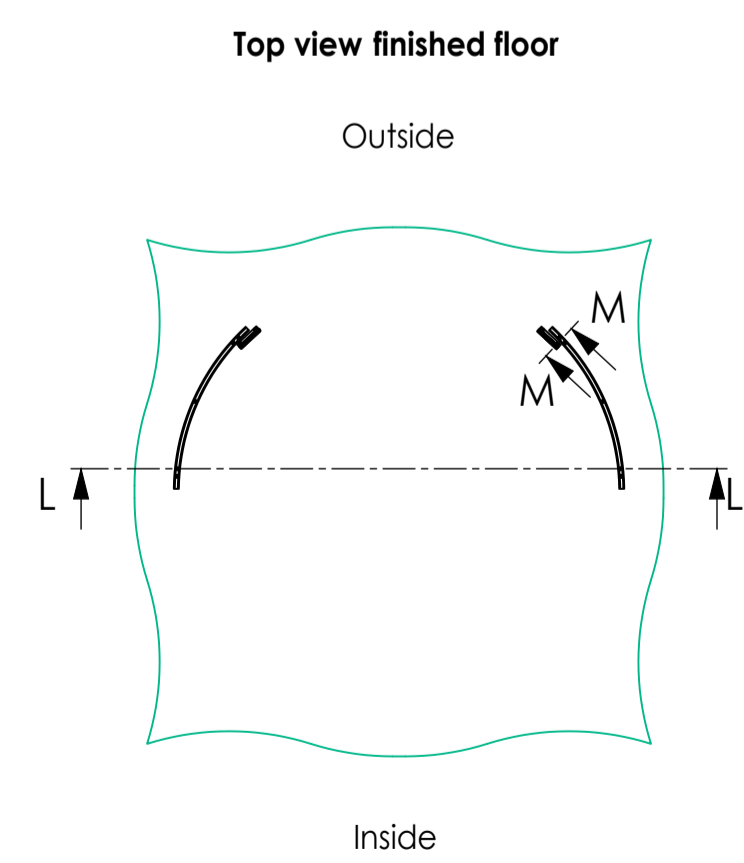
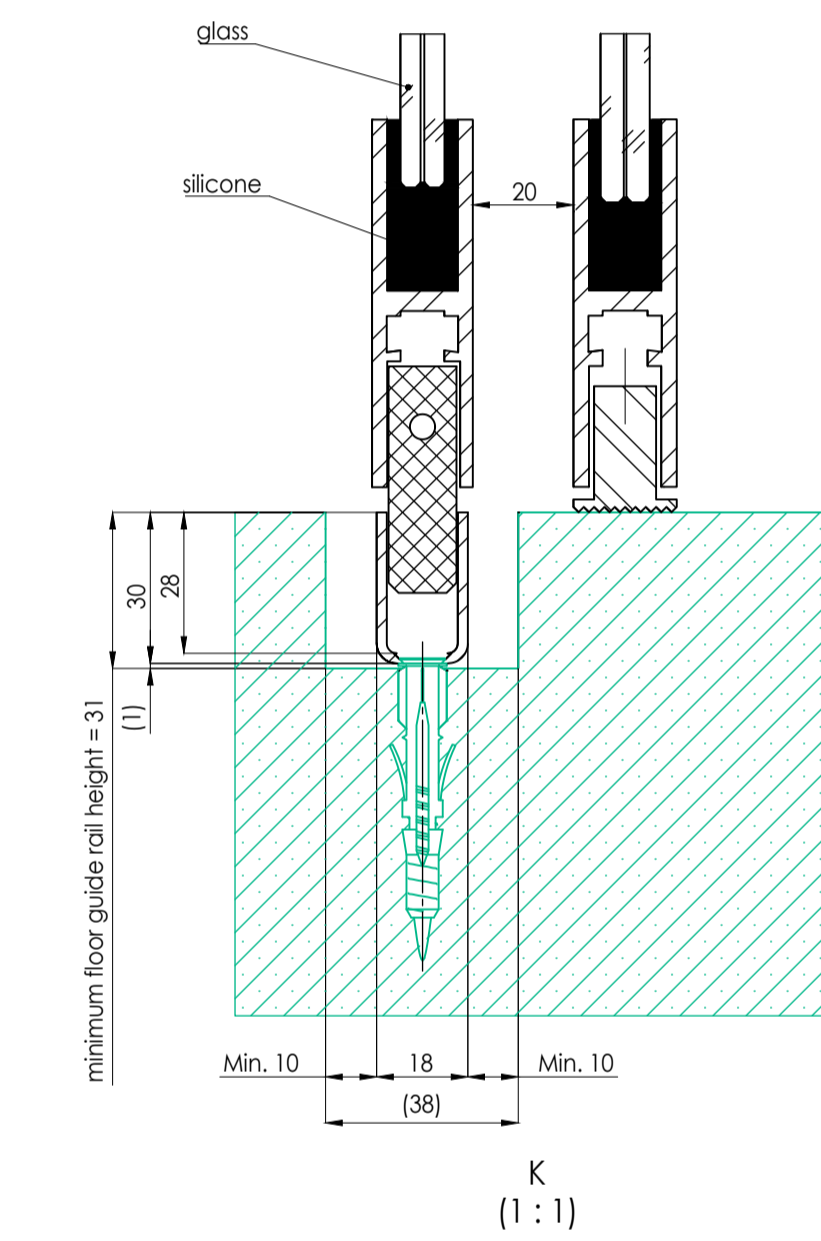
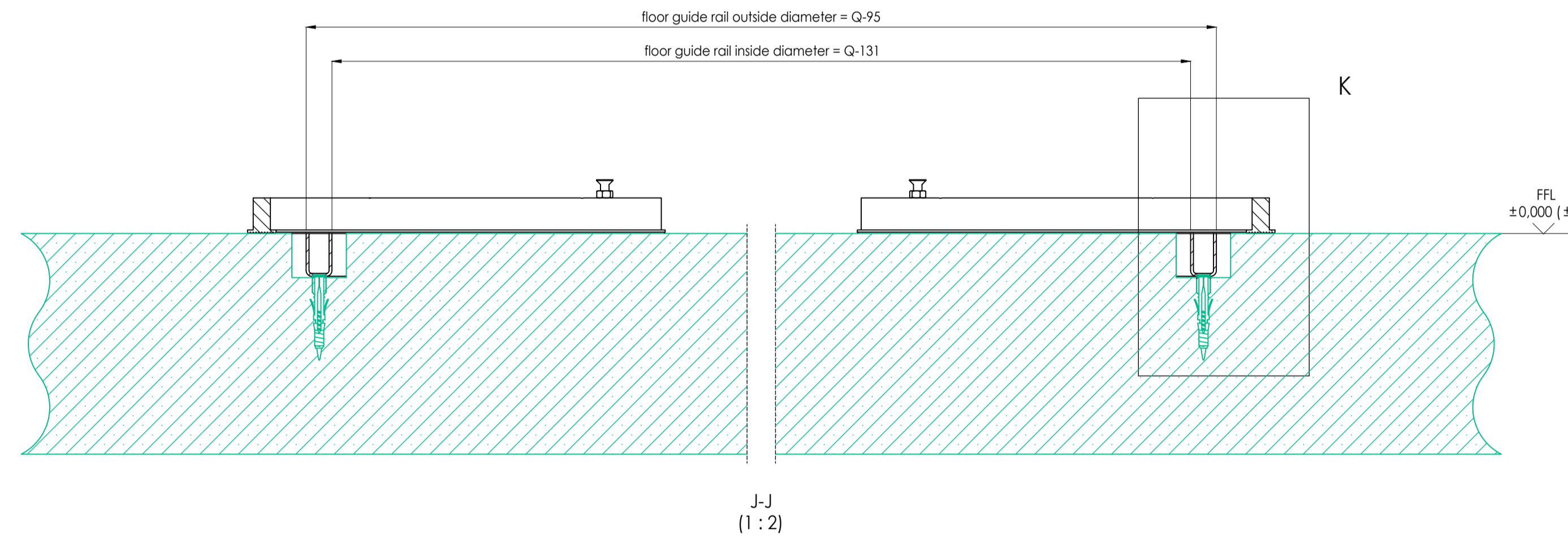
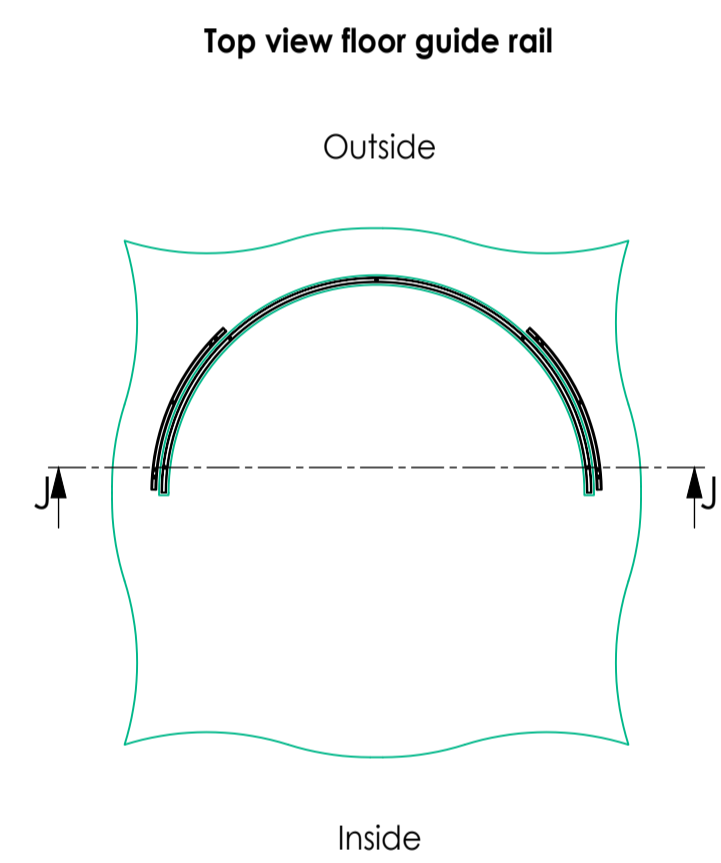
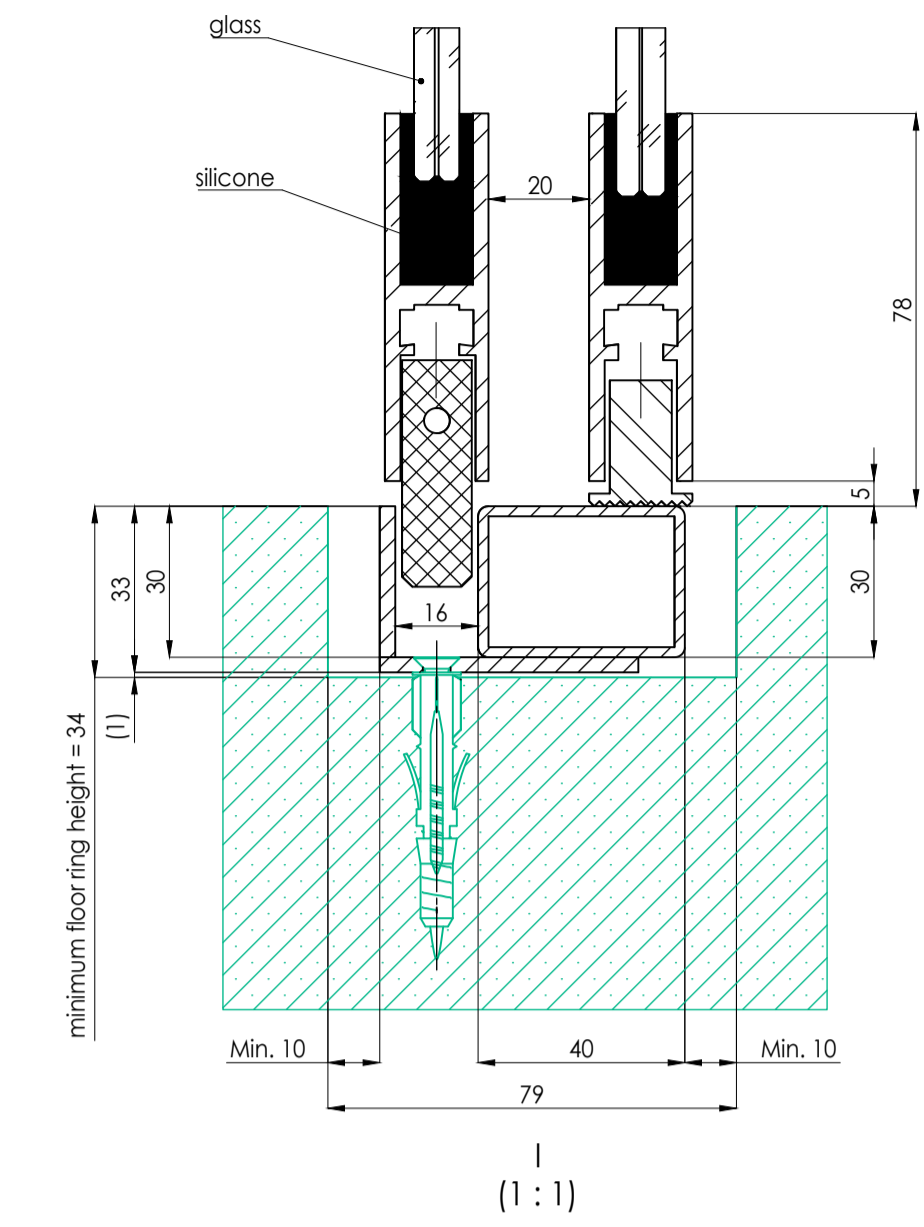
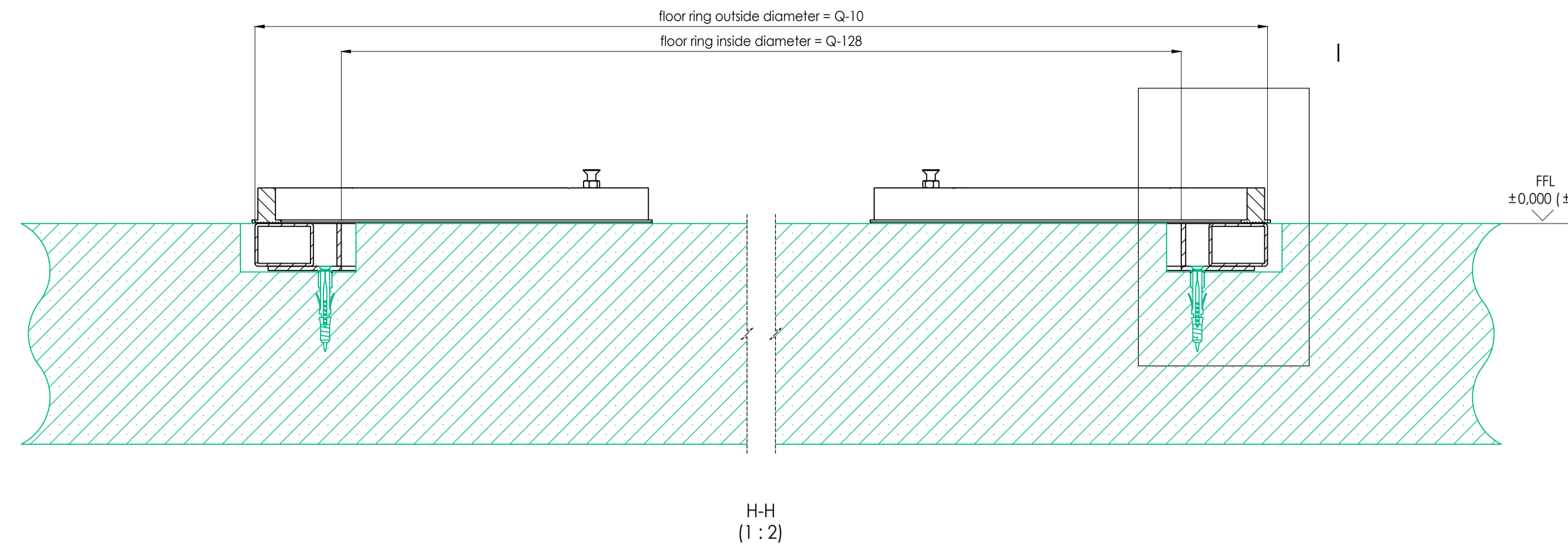
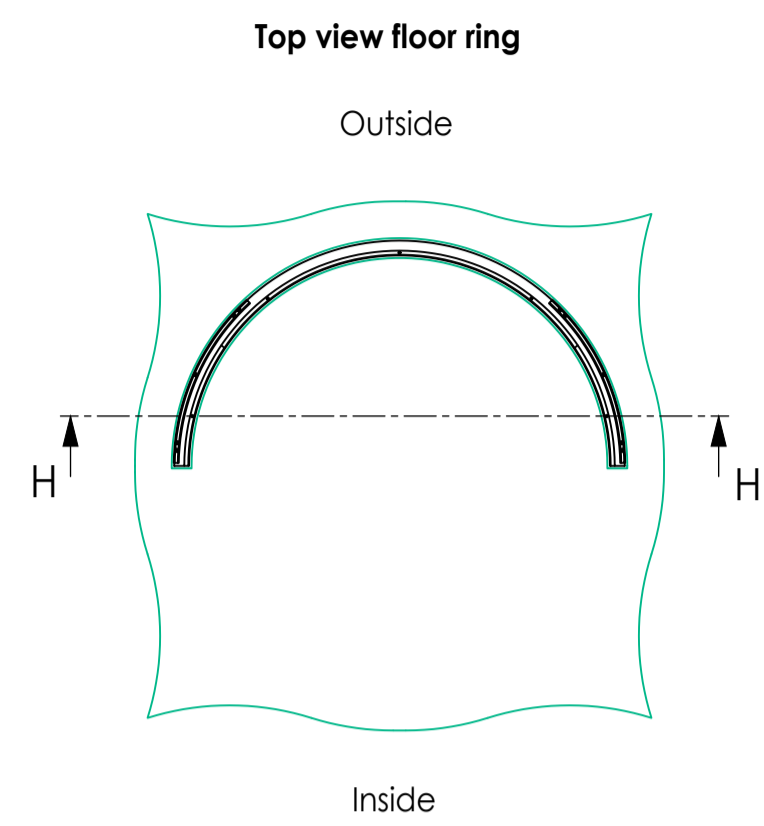
(Facade connection to be defined by customer)

© All rights reserved. This material is the property of ASSA ABLOY Entrance Systems AB. Copying, scanning, distributing or modification in any form without consent of ASSA ABLOY Entrance Systems AB.

Surface treatment	Material	Remark
General tolerance	Fig. Method	Scale
ISO 2768	1:10	SSC
Drawn	Date	2022-11-11
Checked	SSC	Approved
Rev.	Size	A0
A	Sheet	2 (3)
Drawing No.	Curved 180° - ALU 20 [mm]	

No.	Change	CM No.	Date
A			NSA 2022-11-11

Floor guide



© All rights reserved. This material is the property of ASSA ABLOY Entrance Systems AB. Copying, scanning, distributing or modification in any form without consent of ASSA ABLOY Entrance Systems AB.

Surface treatment	Material	Remark
General tolerance	Fig. method	All components marked to show up to be correct to the customer
ISO 2768	Scale	
	1:20	
	SSC	2022-11-11
	Approved	
	Rev.	A
	Size	A0
	Sheet	3 (3)
	Drawing No.	

Curved 180° - ALU 20 [mm]